



Grassroutes
LEISURE LTD



CATALOGUE SUMMER 2012

**24 HOUR
ON-LINE
ORDERING**

**HELPFUL
KNOWLEDGEABLE
ASSISTANCE**

**COMPETITIVE
PRICES**

**INCLUDES
OVER 750
PRODUCTS**

**NO MINIMUM
ORDER
QUANTITY**

**FAST & EFFICIENT
DELIVERY**

**www.grassroutesleisure.co.uk
Tel : 01460 242366**

CONTACT DETAILS

Grassroutes Leisure Limited

Unit 9 Lopen Business Park

Mill Lane, Lopen

South Petherton

Somerset TA13 5JS

Tel : 01460 242366
Fax : 01460 249323
Email : info@grassroutesleisure.co.uk
Website : www.grassroutesleisure.co.uk

OPENING HOURS:-

MONDAY - FRIDAY 8.30 am - 5.00 pm

COLLECTING GOODS : Please call to arrange a mutually convenient date and time.















DELIVERY OF GOODS : Orders received before 2 pm will normally be despatched on a next day delivery service, with the exception of pallet orders that can have a lead time of between 3-5 days.

CONTENTS

Page



INTERNAL FIXTURES & FITTINGS

1 - 16

-  Vohringer Furniture Board
-  Vohringer Colour Chart
-  Vohringer Accessories & Tools
-  Hardware
-  Edging & Trim
-  Furniture Hardware
-  Locks & Catches
-  Furniture Fixture & Fittings
-  Interior Fittings
-  Upholstery
-  Interior Lining & Curtains
-  Consumables
-  Sportscraft Seats
-  Sportscraft Seat Swivels

KITCHEN APPLIANCES

17 - 29

-  Sinks
-  Hobs
-  Sink/Hob Combinations
-  Ovens, Grills & Accessories
-  Kitchen Spares
-  Refrigeration
-  Kitchen Appliance Spares & Accessories

LPG Gas

30 - 32

-  Regulators & Connectors
-  Pipe work




HEATING SYSTEMS

33 - 34

-  Water Heaters
-  Hot Air Heaters

ELECTRICAL

35 - 46

-  Sockets & Cable
-  Fuse Holders & Fuses
-  Cable, Switches & Adapters
-  Battery Terminals & Charges
-  Control Panels
-  Switches & Sockeets
-  Lights 12 volt
-  Lights 12 volt LED

HEALTH & SAFETY

47 - 47

-  Health & Safety

WASHROOM ACCESSORIES

48 - 54

-  Portable Toilets
-  Fixed Toilets
-  Wash Basins & Vanity Units
-  Shower Trays
-  Spares
-  Taps










WATER ACCESSORIES

55 - 58

-  Water Tanks
-  Water Fittings
-  Water Pipe & Fillers
-  Water Pumps

EXTERNAL FIXTURES & FITTINGS

59 - 67

-  Seitz Windows & Roof Vents
-  Roof Vents
-  Fuel Fillters
-  Air Conditioning Units
-  TV Ariels
-  Bike Racks
-  Awnings
-  Roof Rails
-  Lifting Roof


TOWING

68 - 69

-  Towing Accessories

EQUESTRIAN

70 - 70

-  Equestrian Accessories

INDEX

71- 71

-  Index

TERMS & CONDITIONS

72 - 72

-  Terms & Conditions

VOHRINGER FURNITURE BOARD

Vohringer is a popular and versatile light-weight hard finished veneered ply board, made in Germany by Vohringer the V-Group. It is excellent for interior furniture in motorhomes, caravans, campervans and even horseboxes. Vohringer pride themselves with being environmentally friendly and only use sustainable products using renewable materials from organically cultivated forests where forest depletion is avoided. Their production methods are performed with environmentally friendly and renewable raw materials. All of Vohringer's partners are being certified to the Forest Stewardship Council's standards of environmental quality.

These boards are available in two thicknesses 15 mm and 3 mm. The 15 mm is supplied with the same colour veneer both sides. The 3 mm board is supplied with veneer on one-side only. Board Size is: 2440 mm x 1200 mm (approx. 8 ft x 4 ft).



We currently stock a range of colours as detailed below. For exact colours please call for samples. If there is a particular colour you require please call **01460 242366** to discuss your requirements and availability of the product. Please view our website regularly for details of new colours that will be added in the coming months.

We also stock the garnier ply - the base ply that Vohringer is made from. This ply is light-weight. Size Approx. 2440 mm x 1200 mm (approx. 8 ft x 4 ft). Thickness: 15 mm. **99903**

VOHRINGER COLOUR CHART



GLOSS BLACK

99017 15 mm Veneered Both Sides

99217 3 mm Veneered One Side



MATT BLACK

99018 15 mm Veneered Both Sides

NEW

99218 3 mm Veneered One Side

VOHRINGER COLOUR CHART



BEECH

99001 15 mm Veneered Both Sides

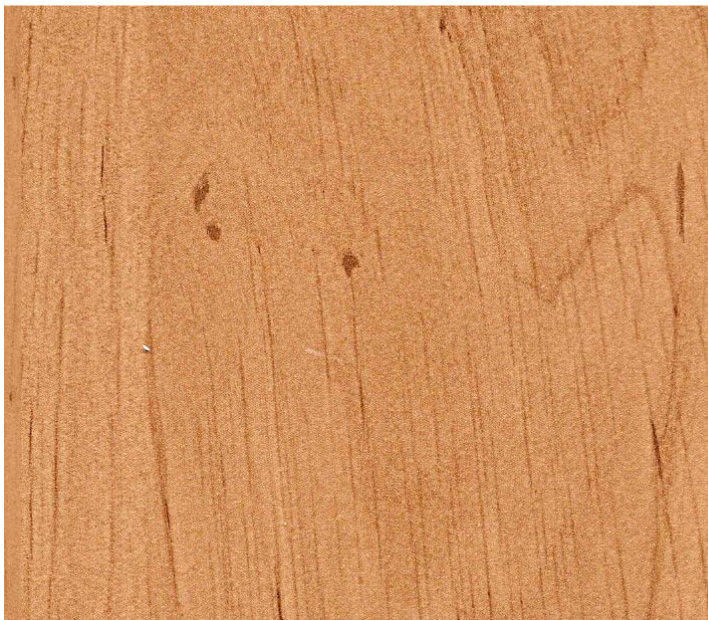
99201 3 mm Veneered One Side



WALNUT

99015 15 mm Veneered Both Sides

99215 3 mm Veneered One Side



AMERICAN CHERRY

99005 15 mm Veneered Both Sides

99205 3 mm Veneered One Side



MAPLE

99012 15 mm Veneered Both Sides

99212 3 mm Veneered One Side

VOHRINGER COLOUR CHART



LIGHT OAK

99014 15 mm Veneered Both Sides

99214 3 mm Veneered One Side



MAKASSAR

99030 15 mm Veneered Both Sides

NEW

99230 3 mm Veneered One Side



GRAFFITTI GREY

99003 15 mm Veneered Both Sides

99203 3 mm Veneered One Side



GRAFFITTI FOLIE

99009 15 mm Veneered Both Sides

99209 3 mm Veneered One Side

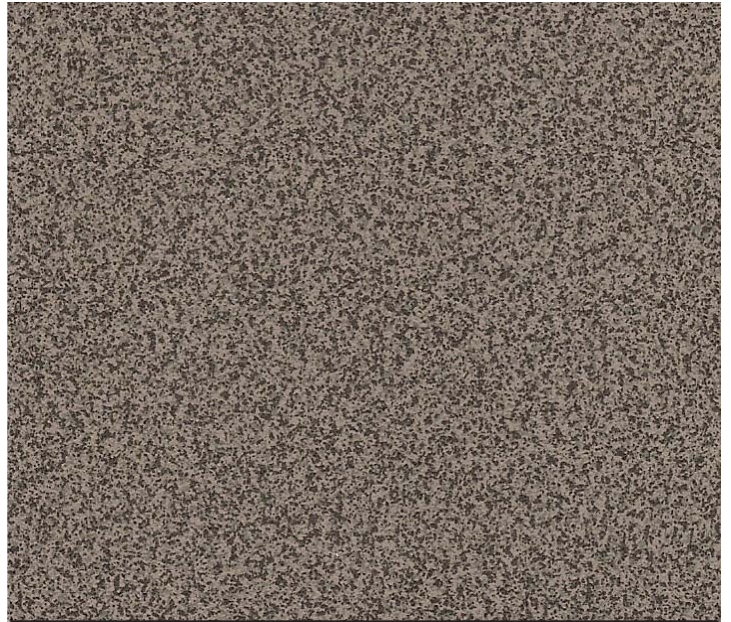
VOHRINGER COLOUR CHART



CARBON

99008 15 mm Veneered Both Sides

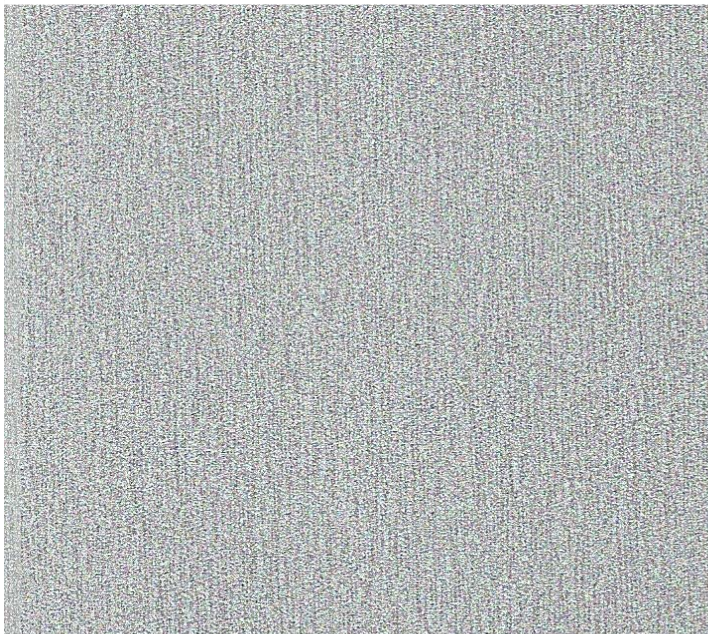
99208 3 mm Veneered One Side



PUNTINELLA

99004 15 mm Veneered Both Sides

99204 3 mm Veneered One Side



TITANIUM

99007 15 mm Veneered Both Sides

99207 3 mm Veneered One Side



BRUSHED ALUMINIUM

99016 15 mm Veneered Both Sides

99216 3 mm Veneered One Side

VOHRINGER ACCESSORIES & TOOLS

TABLE TOPS - VOHRINGER PLY - AVAILABLE IN TWO SIZES

Manufactured from 15 mm light-weight Vohringer Ply & trimmed with table top trimming. Available in two sizes; Small - 610 x 610 mm or Large - 910 x 610 mm.



<u>Small</u>	<u>Large</u>	<u>Board Colour</u>
98001S	98001L	Beech
98003S	98003L	Graffiti Grey
98004S	98004L	Puntinella
98005S	98005L	American Cherry
98007S	98007L	Titanium
98008S	98008L	Carbon
98009S	98009L	Graffiti Folie
98012S	98012L	Maple
98014S	98014L	Oak
98015S	98015L	Walnut
98016S	98016L	Brushed Aluminium
98017S	98017L	Gloss Black
98018S	98018L	Matt Black
98030S	98030L	Makssar

Please advise Vohringer colour and trim colour required when placing order. **Please note these are table tops only. Fittings are not included.**

FRIDGE FRONTS - VOHRINGER PLY

Cut from 3 mm Vohringer Ply fridge fronts are available in a range of colours. Please supply fridge make/model or approx. size when placing your order.



99201F	Beech
99203F	Graffiti Grey
99204F	Puntinella
99205F	American Cherry
99207F	Titanium
99208F	Carbon
99209F	Graffiti Folie
99212F	Maple
99214F	Light Oak
99215F	Walnut
99216F	Brushed Aluminium
99217F	Gloss Black
99218F	Matt Black
99230F	Makassar



ARBOUR

Trend Arbour with 1/4" spindle & spacers. Enables the mounting of 1/4" bore slotters with/without bearings. **60024**



CUTTER

Trend Cutter. 5 mm **60021**



BEARING

Trend Bearing for use with item 60023 & 60024. **60025**



SLOTTER

Trend TCT Slotter with 1/4" bore. For use with item 60024. **60023**

HARDWARE



STLA ALUMINIUM LADDER

Internal Aluminium ladder with 5 steps for the inside of luton overcab models of motorhome, caravan with bunks or horseboxes. Size: 1500 mm x 280 mm.

30645



FOLDING TABLE LEG

Folding table leg (rock n roll). Height: 715 mm. Leg Width: approx. 55 mm. Can be used with item 60030 - sliding rail system.

60022



FOLDING TABLE LEG

Folding table leg (rock n roll). Height: 725 mm. Leg Width: approx. 30 mm. Can be used with item 60030 - sliding rail system.

60063



TABLE LEG

Swing Out Table Leg. Tubular Steel Table Support. Dia. 45 mm, Height: 730 mm, Weight: 1.4 kg.

60061



SLIDING RAIL SYSTEM

Sliding rail for demountable table. Rail length: 900 mm. Can be cut to size. Can be used with item 60022 - Folding Table Leg. Colour: Silver

60030



TABLE LEG CLIP

Clip for holding table legs when not in situ. Colour: Black

30061



FIAMMA TABLE LEGS & CONNECTORS

- 30065N** Fiamma Tube Pro 70 cm inc. 2 x joint plastic caps
- 30067** Recessed Connector
- 30068** Connix Connector
- 30207** Recessed Cap
- 30070** Tripod (plastic)



SLIDING RAIL SET

Sliding rail for demountable table and Folding table leg 720 mm. Colour: Silver includes items 60030 & 60063.

60030S

EDGING & TRIM



LOCKER DOOR TRIM

Box of 40 metres or by the metre.

- 60012** Dark Grey
 - 60011** Mid Grey
 - 60033** Silver
 - 60013** Dark Brown
 - 60105** Black
- Sold by Box or by Metre

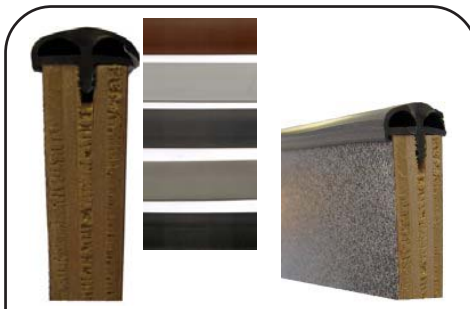


TABLE TOP TRIM

Box of 50 metres or by the metre.

- 60007** Dark Grey
 - 60002** Mid Grey
 - 60032** Silver
 - 60008** Dark Brown
 - 60106** Black
- Sold by Box or by Metre



SINGLE LIPPED T TRIM

Box of 100 metres or by the metre.

- 60005** Dark Grey
 - 60001** Mid Grey
 - 60034** Silver
 - 60006** Dark Brown
 - 60104** Black
- Sold by Box or by Metre
- Also see items 60069 & 60055 below.*



SINGLE LIPPED T TRIM - BEECH WOODGRAIN

Single lipped T Trim for 15 mm board. Beech/Woodgrain. Available on the roll or metre.

- 60069** 200 m roll
- 60069M** per metre



DOUBLE LIPPED T TRIM - DARK WOODGRAIN

Double lipped T Trim for 15 mm board. Sold by the metre only or 150 metre roll.

- 60056** per 150 metre roll
- 60056M** per metre



DOUBLE LIPPED T TRIM - BEECH WOODGRAIN

Double lipped T Trim for 15 mm board. Sold by the metre only or 150 metre roll.

- 60055** per 150 metre roll
- 60055M** per metre



CORNER PROFILE

Corner profile for 15 mm board with cushion corner. Length 2.2 m.

- 60003** Mid Grey
- 60009** Dark Grey
- 60010** Dark Brown
- 60107** Black



BEADING

Box of 100 metres or by the metre.

- 60000DG** Dark Grey
 - 60000B** Dark Brown
 - 60000BL** Black
 - 60000S** Silver
- Sold by Box or by Metre

TRIM COLOUR CHART



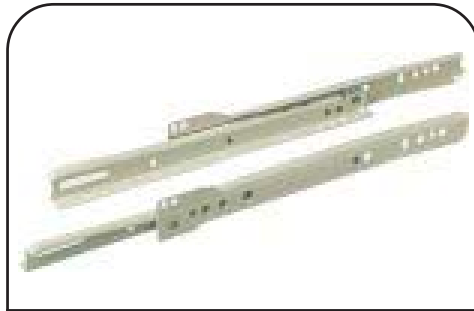
FURNITURE HARDWARE



ACCURIDE RUNNER

Heavy duty general purpose runner. Length: 700 mm installed, 733 mm extended. **90 kg** carrying capacity, Hold-in feature holds the closed drawer in. 32 mm drilling pattern. Bright zinc-plated steel.

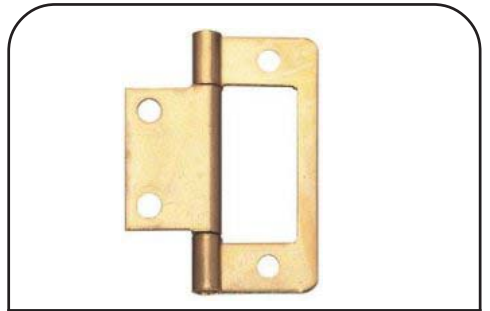
90010



DRAWER RUNNER

Base Mounted. Plastic coated. Dimension: 400 mm. Colour: White. Self Closing.

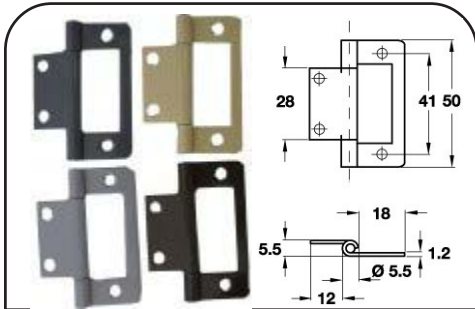
90004



BUTT HINGE - 50 mm

Zinc Plated Butt Hinge. Size : 50 mm x 23 mm

60062



BUTT HINGES 50 mm

Zinc Plated Butt Hinge. Size : 50 mm x 23 mm

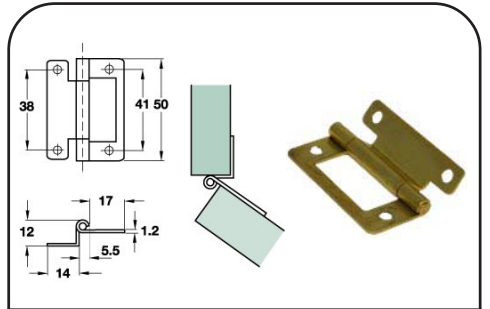
- 60004** Mid Grey
- 60014** Dark Grey
- 60015** Dark Brown
- 60019** Beige



CRANKED HINGES

Powder Coated Cranked Hinge. Size: 50 mm x 40 mm. Sold in Pairs (1 x RH, 1 x LH).

- 60016** Mid Grey
- 60017** Dark Grey
- 60018** Dark Brown



CRANKED HINGE 50 mm

Electro brassed finished flush fitting cranked hinge. 50 mm. Suitable for door thicknesses 15-19 mm. Fixed Pin. Non-Mortice. Steel.

60057



CRANKED FLUSH HINGE

50 mm x 42 mm. Ideal for benches. Non Mortice, for medium duty applications. Normally for 15-16 mm door thicknesses. With fixed pin: Fixings not included. Steel Zinc Plated

90007



BENCH SEAT HINGE (PAIR)

Without spring for 95 degree opening. Built in stop prevents seat top from slamming. Approx. 110mm of forward movement allows for thickly upholstered seats. Closed length: 191mm, Depth: 50mm. Fixings not included.

90005



STEEL BENCH SEAT HINGE

Spring loaded hinge for 95 deg opening with built in stop. Approx. 110 mm of forward movement allows for thickly upholstered seats. Closed length: 191 mm, Depth: 50 mm. Fixings not included.

- 90006-8** Seat tops weighing 8 kg
- 90006-12** Seat tops weighing 12 kg

LOCKS & CATCHES



PUSH LOCK 15 mm

Push button locking door knob with brown lock. Ideal for cabinets. Size: 15 mm. Lock, rosette, button & striking plate.
90001 Nickle
90001CB Chrome
90001GB Gold



PUSH LOCK 15 mm

Locking push button door knob with grey lock. Ideal for cabinets. Size: 15 mm. Includes:- lock, rosette, button & striking plate.
90001N Nickle
90001CS Chrome



PUSH LOCK 22 mm

Locking push button door knob with brown lock. Ideal for cabinets. Size: 22 mm. Includes:- lock, rosette, button & striking plate.
90003 Nickle
90003GB Gold



PUSH LOCK 22 mm

Locking push button door knob with grey lock. Ideal for cabinets. Size: 22 mm. Includes:- lock, rosette, button & striking plate.
90003N Nickle



Retangular Push Lock

Retangular Push button locking door knob with brown lock. The Push Button is Chrome and the surround matt silver. Ideal for cabinets. Includes:- Lock, Push button, Surround & striking plate.
90020 Brown Lock



Retangular Push Lock

Retangular Push button locking door knob with silver lock. The Push Button is chrome and the surround matt silver. Ideal for cabinets. Includes:- Lock, Push button, Surround & striking plate.
90020N Silver Lock



CARALOC 400

Caraloc 400 Complete with 2 keys and fitting screws. Available LH or RH.
30051RH RH
30051LH LH



CARALOC 700

Caraloc 700 Complete with 2 keys, seal, screws. (Pic is of RH). Available LH or RH.
30052RH RH
30052LH LH



CARALOC 640

Caraloc 640 Complete. Includes 2 keys and fixing screws. Available LH or RH.
30053RH RH
30053LH LH



CUPBOARD STAY

Metal Door Stay
60070



DOOR STAY

Metal Automatic opening lid stay - 244 mm
90051



MAGNETIC CATCH

For mounting onto metal or plastic. White plastic catch - steel counterpiece. Magnetic Catch - Pack of 5
90050

FURNITURE FIXTURES & FITTINGS



COVER CAPS

Bag of 100 cover caps.

- 60075B** Beige
- 60075D** Dark Brown
- 60075G** Light Grey



KNOCK IN SHELF SUPPORT

Knock In Shelf Support. 60 kg Load carrying capacity. Bag of 25.

- 60077B** Dark Brown



PLUG IN SHELF SUPPORT

Plug In shelf support (5mm dia hole). 100 kg load carrying capacity. Bag of 25.

- 60076B** Beige
- 60076D** Dark Brown



END CAP

25 mm x 25 mm Black End Cap.

30073



FIXING BRACKET

Brown plastic fixing bracket. Screw fixing. Approx. Size: 54 mm x 36 mm.

60073



P CLIPS

P Clip. White. Pack of 10.

- 30272-6mm**
- 30272-16mm**
- 30272-19mm**
- 30272-25mm**
- 30272-31mm**



MINI CORNER

Mini corner connector inc. trim cap. Plastic. 18 mm. Pack of 50.

- 60071W** White
- 60071B** Beige
- 60071D** Brown



CORNER

Corner connector inc trim cap. Plastic. 44 mm. Pack of 50.

- 60072W** White
- 60072B** Beige
- 60072D** Brown



MODESTY BLOCK

Modesty knock down fittings. One piece. Plastic. Pack of 50.

- 60074W** White
- 60074B** Beige
- 60074D** Brown
- 60074BL** Black

INTERIOR FITTINGS

INTERNAL THERMAL BLINDS:-



- 60051S** Volkswagen T4
- 60041S** Volkswagen T5
- 60064** Toyota Powervan (Granvia)
- 60108** Ducato 06 onwards
- 60109** Mercedes Vito 2004 onwards
- 60035S** Mazda Bongo (Front, Side & Rear - 4 piece set)

MAKE YOUR OWN BLINDS:-

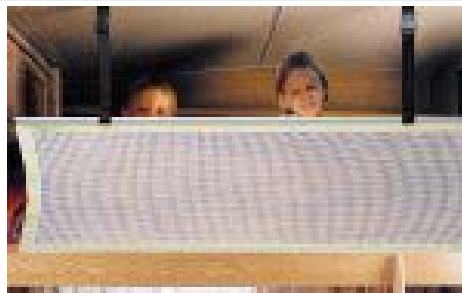
- 60140** Silver Screen Material 50 m roll
- 60141** Edging for Silver Screen 100 m roll
- 60142** Suction Pads each



CURTAIN TRACK SET

Kit includes:- 1.3 metre of curtain track (can be cut down to size), 2 end stops, 4 fixing screws, 25 gliders, 25 curtain hooks. Supplied in cardboard tube.

30377



SAFETY NET

Luton Safety Nets. Idea to secure luton of motorhome or horsebox. Available in 2 sizes.

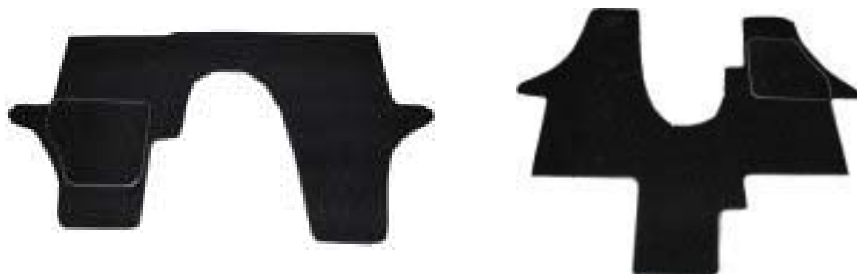
- 30647** 1500 mm x 580 mm
- 30646** 1800 mm x 580 mm



STORAGE NET

Black elasticated Storage Net. Dimensions: 30 cm x 17 cm.

60100



INTERNAL MATS

Internal mat for VW T5. Colour: Black carpet with black/silver edging. Available in two sizes.

- 60201** For vans fitted with Double Passenger Seat
- 60202** For vans fitted with Single Passenger Seat

UPHOLSTERY

**INCA MATERIAL (T4)**

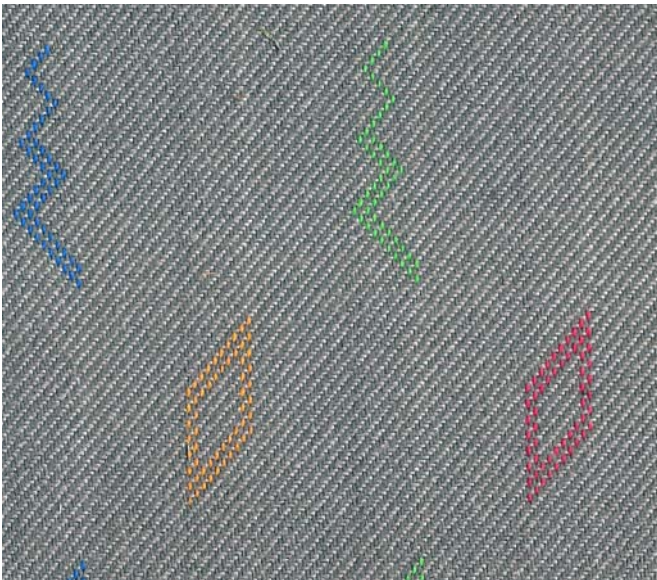
INCA Material for Volkswagen T4.

Size : 1.7 metres wide.

Supplied by the running Metre.

PLEASE NOTE: Colours may differ.

30370 Per running metre

**INCA MATERIAL (T5)**

INCA Material for Volkswagen T5.

Size : 1.7 metres wide.

Supplied by the running Metre.

PLEASE NOTE: Colours may differ.

30371 Per running metre

**PACE MATERIAL (T5)**

PACE Material for Volkswagen T5.

Size : 1.7 metres wide.

Supplied by the running Metre.

PLEASE NOTE: Colours may differ.

30380 Per running metre

INTERIOR LINING & CURTAINS

TRIM VELOUR



SILVER

BEIGE

HEATHER

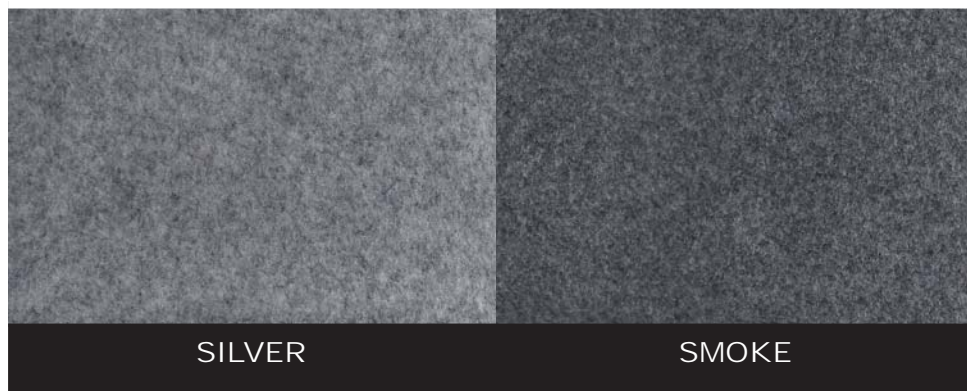
Flexible Velour. Available by the roll (2 m wide x 30 metre long) or by the running metre

- 30328S** Silver / Roll
- 30328B** Beige / Roll
- 30328H** Heather / Roll

- 30328SM** Silver / Running Metre
- 30328BM** Beige / Running Metre
- 30328HM** Heather / Running Metre

HI-FLEX VELOUR

Hi Flex Velour. A very flexible velour. Available by the roll approx. 2.04 m wide x 30 metre long) or by the running metre



SILVER

SMOKE

Per Roll

- 30390S** Silver / Roll
- 30390M** Smoke / Roll

Per Running Metre

- 30390S-M** Silver
- 30390M-M** Smoke

VW T5 FITTED CURTAINS

Quality ready made curtains & track for the VW T5 camper. Available for side and tail gate windows. (Kit comprises of 2 curtains; 2 rails; 8 screws & four end stops & tie backs for curtains). 1 set required per window.

Fabric is flexible jersey, the length of 600 mm stretches to 700 mm in the mounting.
Colour: grey/black.



- 60203-T5** Side Window
- 60204-T5** Tailgate

NEW



CONSUMABLES



CABLE CLIP

CABLE CLIP Self Adhesive. Plastic. Colour : White.

30648 Pack of 50



SUPERBOND SPRAY GLUE

Upholstery and general purpose spray adhesive. High strength, variable spray, high tack/long tack, very fast set. 500 ml per can.

30026 box of 12 cans
30605 Individaul can



WEBTACK SPRAY GLUE

A glue that withstands high temperature. 500 ml can.

30030 box of 12 cans
30030C Individaul can



DOUBLE SIDED TAPE

Double sided adhesive tape.

60102 12 mm x 5 m
60103 25 mm x 5 m



P CLIPS

P Clip. White. Pack of 10.

30272-6mm
30272-16mm
30272-19mm
30272-25mm
30272-31mm



ADHESIVE SEALER

Polyurethane high bond adhesive sealer. Over paintable. 310 ml.

30604B Black
30604G Grey
30604W White
60101 Sealer Gun



JUBILEE CLIPS

Zinc Plated Jubilee Hose Clips. Boxes of 10. Available in following sizes:-

30606 11-16 mm MOO
30607 13-20 mm OO
30608 18-25 mm OX
30609 35-50 mm 2A



GAS SEAL

Gas Sealer. Essential for sealing and connecting gas pipe work and connectors. 300 g tin.

30730 300 gram Tin



BLOCKS

Various Blocks see Page 10

SPORTSCRAFT SEATS

SPORTSCRAFT SEATS

Sportscraft, a leading manufacturer of vehicle accessories including seats for aeroplanes as well as the the VW T5. Sportscraft has recently been acquired by the Portuguese company Sunviauto.

Available in the following material:-

- ** INCA 2
- ** PACE
- ** TASAMO

Seat Adaptor Plate sold separately.

SPORTSCRAFT®
by SUNVIAUTO



HANDBRAKE ADAPTER



SPORTSCRAFT SEATS



SEAT ADAPTER

NEW

SUNVIAUTO
mobility drives us

- 60099** Sportscraft S8-1 Seat Covered (INCA 2) with lumbar support & arm rests
- 60098** Sportscraft S8-1 Seat UN-Covered with lumbar support & arm rests
- 60110** Sportscraft S8-1 Seat Covered (INCA 2) EXCLUDES lumbar support & armrests
- 60131** Sportscraft S8-1 Seat Covered (TASAMO) EXCLUDES lumbar support & armrests
- 60132** Sportscraft S8-1 Seat Covered (PACE) EXCLUDES lumbar support & armrests
- 60097D** Sportscraft T5 Seat Adapter Plate Drivers
- 60097P** Sportscraft T5 Seat Adapter Plate Passengers
- 60122** Sportscraft T5 Handbrake Adapter

SPORTSCRAFT SEAT SWIVELS



SPORTSCRAFT®
THE LEISURE SEAT SPECIALISTS

VW T4

Sportscraft Swivel Plate VW T4
 TUV Approved & crash tested.

- 60120D** Drivers 1997+
- 60120P** Passenger 1997+
- 60128** Will fit Drivers or Passengers to 1996



SPORTSCRAFT®
THE LEISURE SEAT SPECIALISTS

VW T5

Sportscraft Swivel Plate VW T5. Driver swivel comes complete with handbrake lowering kit. Hole Centres: 395 x 385 mm, H: 27 mm. TUV Approved & crash tested.

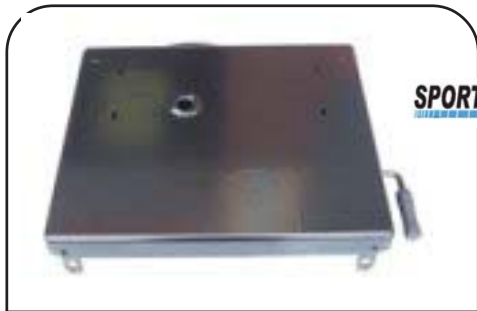
- 60127D** Drivers
- 60127P** Passenger



T5 WITH SAFE BOX

Sportscraft Swivel Plate VW T5 with integral seat box. Will fit either side. You will need a hand brake adapter if fitting to Drivers side. TUV Approved & crash tested.

- 60129** Either Side
- 60122** Hand Brake Adapter



SPORTSCRAFT®
THE LEISURE SEAT SPECIALISTS

DUCATO/BOXER/RELAY

Sportscraft Swivel Plate Fiat Ducato/Boxer/Relay up to 2006 with off set turning. Weight: 9 kg, Hole Centres: 410 x 340 mm, H: 45 mm. TUV Approved & crash tested.

- 60123D** Drivers
- 60123P** Passenger



SPORTSCRAFT®
THE LEISURE SEAT SPECIALISTS

DUCATO/BOXER/JUMPER

Sportscraft Swivel Plate Fiat Ducato, Peugeot Boxer, Citroen Jumper 2007+ off-set turning. Weight: 15 kg, Hole Centres: 410 x 383 mm, H: 25 mm. TUV Approved & crash tested.

- 60121D** Drivers
- 60121P** Passenger



SPRINTER/VW LT35

Sportscraft Swivel Plate Mercedes Sprinter, VW LT35 up to 2006. Weight: 15 kg, Hole Centres: 415 x 370 mm, H: 48 mm. TUV Approved & crash tested.

- 60124D** Drivers
- 60124P** Passenger



SPORTSCRAFT®
THE LEISURE SEAT SPECIALISTS

SPRINTER/CRAFTER

Sportscraft Swivel Plate Mercedes Sprinter/Crafter 2007+. Weight: 16 kg, Hole Centres: 420 x 405 mm, H: 44 mm. TUV Approved & crash tested.

- 60125D** Drivers
- 60125P** Passenger



SPORTSCRAFT®
THE LEISURE SEAT SPECIALISTS

FORD TRANSIT

Sportscraft Swivel Plate Ford Transit 2004+. Weight: 16 kg, Hole Centres: 433 x 405 mm, H: 32 mm. TUV Approved & crash tested.

- 60126D** Drivers
- 60126P** Passenger



MERCEDES VITO

Sportscraft Swivel Plate Mercedes Vito up to 2002. TUV Approved & crash tested.

- 60133D** Drivers
- 60133P** Passenger

SINKS



Smev Series 930

Sink. Colour : Inox.
 Dimensions: L: 280 mm, D: 380 mm, H: 145 mm. Includes sink waste.
 Excludes Tap
10076

**SEE PAGE 53 - 54
 FOR TAP OPTIONS**



Smev Series 928

Round sink. Colour : Inox. Excludes Tap.
 Dimensions: Diameter: 400 mm, Height: 130 mm. Includes sink waste.
10071

**SEE PAGE 53 - 54
 FOR TAP OPTIONS**



Smev Series 910

Sink. Colour : Inox.
 Dimensions: L: 370 mm, D: 370 mm, H: 125 mm. Includes sink waste.
 Excludes Tap
10070

**SEE PAGE 53 - 54
 FOR TAP OPTIONS**



Smev Series 934

Sink/Drainer. Can be fitted with drainer either side. Colour : Inox. Dimensions: L: 650 mm, D: 380 mm, H: 145 mm. Includes sink waste. Excludes Tap.
10072

**SEE PAGE 53 - 54
 FOR TAP OPTIONS**



Smev Series 936

Sink can be fitted with drainer either side. Colour : Inox.
 Dimensions: L: 590 mm, D: 370 mm, H: 125 mm. Includes sink waste. Excludes Tap.
10075

**SEE PAGE 53 - 54
 FOR TAP OPTIONS**



Smev Series 8306

Flush fitting sink and drainer with single glass lid. Colour : Inox. Dimensions: L: 680 mm, D: 440 mm, H: 150 mm. Includes sink waste. Excludes Tap.

Unit Options:

10046 Series 8306

Fold Down Tap Options:

70004 Hot & Cold
70004C Cold Only

SINKS



Smev Series 8000

Flush fitting sink with integral black glass lid. Includes sink waste. Colour : Inox. Please note these sinks are now sold WITHOUT tap. Series 8005 : Dimensions: L: 420 mm, W: 370 mm, D: 145 mm. See item 10025 for matching hob. Series 8006: Dimensions: L: 420 mm, W: 440 mm, D: 145 mm. See item 10051 for matching hob.

Unit Options:

- 10024** Series 8005
- 10050** Series 8006

Fold Down Tap Options:

- 70004** Fold Down Mixer Tap - Hot & Cold
- 70004C** Fold Down Mixer Tap - Cold Only

CRAMER



Cramer Sink

Stainless Steel Sink with glass lid. Excludes tap and tap hole. Dimensions: 410 x 335 mm.

- 10500** **SEE PAGE 53 - 54 FOR TAP OPTIONS**



CAN SINK LA1460

CAN Stainless Steel Retangled Sink; No tap hole. Includes Waste; Excludes tap; Size: Width: 298 mm; Depth: 260 mm; Length: 320 mm; Bowl Depth: 150 mm; Weight: 1 kg.

- 10618** **SEE PAGE 53 - 54 FOR TAP OPTIONS**



NEW



CAN LR1760

CAN Stainless Steel Retangular Sink with hinged glass lid. Excludes tap. Dimensions: Height: 180 mm; Depth: 320 mm; Length: 350 mm Weight: 4.2 kg

- 10612** **SEE PAGE 53 - 54 FOR TAP OPTIONS**

NEW



CAN LR1450

CAN Stainless Steel Oval Sink with hinged glass lid. Excludes tap. Dimensions: Height: 161 mm; Depth: 390 mm; Width: 510 mm Weight: 7 kg

- 10614** **SEE PAGE 53 - 54 FOR TAP OPTIONS**

HOBS



SMEV
ENJOY YOUR TRAVEL

Smev Series 909

Two burner hob fits into worksurface. Electronic Ignition. Colour: Inox. Size: Length: 420 mm, Depth: 370 mm.

10080



SMEV
ENJOY YOUR TRAVEL

Smev Series 1000

Two burner hob with grill, fits into worksurface. Electronic Ignition. Colour: Inox. Size: Length: 420 mm, Depth: 370 mm.

10066



Smev Series 2000

Two burner hob fits into work surface. Colour : Inox. Size: L: 380 mm, D: 280 mm.

10067 Piezo Ignition



SMEV
ENJOY YOUR TRAVEL

Smev Series 8022

Flush fitting 2 burner hob, electronic ignition, integral black glass lid. Matches Item No. 10024. Colour : Inox. Dimensions: L: 480 mm, W: 370 mm.

10025



Smev Series 8023

Flush fitting 3 burner hob, electronic ignition, integral black glass lid. Matches Item No. 10050. Colour : Inox. Dimensions: L: 560 mm, W: 440 mm.

10051



CRAMER

CRAMER 2 BURNER HOB

Two burner hob with integral glass lid. 30 mbar. Dimensions: 460 x 335 mm. Safety ignition system. Recessed controls.

10501



Can

CAN FC1336

Two burner hob with hinged glass lid. Dimensions: Width: 530 mm; Depth: 325 mm; Height: 145 mm; Weight: 5 kg.

10611



NEW

Can

CAN FC1345

Round Single burner hob with hinged glass lid. Dimensions: Diameter: 340 mm; Height: 70 mm; Weight: 2.13 kg.

10617



NEW

Can

CAN FC1348

Oval double burner hob with hinged glass lid. Dimensions: Width: 510 mm; Depth: 390 mm; Height: 85 mm; Weight: 3.9 kg.

10613

SINK/HOB COMBINATION UNITS



Smev Series 8800

One burner sink/hob combination unit with Piezo ignition and a choice of either left hand or right hand side sink bowl. Colour : Inox. Includes removable drainer that fits over hob and sink waste. Size: Depth: 421 mm, Width: 525 mm. Excludes tap.

Unit Options:

- 10120 RH Sink
- 10121 LH Sink

Fold Down Tap Options:

- 70004 Hot & Cold
- 70004C Cold Only



Smev Series 9122

This combination unit comes with RH sink, 2 burner hob and fits into the work surface. (Excludes tap - see pages 53-54). Electronic Ignition. Colour : Inox. Size: Width: 810 mm, Depth: 340 mm. **10112**



Smev Series 917

Two burner combination sink fits flush into work surface. No ignition. Colour:Inox. Includes sink waste. (For tap see pages 53-54). Size: L: 600 mm, D: 420 mm

10026



Smev Series 927

This combination sink/2 burner hob comes in one piece and fits flush into the work surface. (Excludes Tap-see pages 53-54). No ignition. Includes sink waste. Colour : Inox. Dimensions: L: 490 mm, D: 460 mm.

10063



Smev Series 911

Left hand sink/2 burner hob combination. Fits flush into the work surface. (Excludes Tap-see pages 53-54). Electronic ignition. Colour : Inox. Includes sink waste. Ideal for small motorhomes. Size: L: 800 mm, D: 320mm.

10061



Smev Series 8300

This flush fitting unit can be supplied with a 2 burner or 3 burner hob option and is fitted with a right hand sink. Includes single black glass lid, sink waste and tap hole. Colour: Inox. Electronic Ignition. Excludes Tap. Size: Length: 680 mm; Depth: 440 mm.

Unit Options:

- 10042 Series 8322 - 2 burner
- 10079 Series 8323 - 3 burner

Fold Down Tap Options:

- 70004 Fold Down Mixer Tap - Hot & Cold
- 70004C Fold Down Mixer Tap - Cold Only

SINK/HOB COMBINATION UNITS



CAN FOLDY ROUND

CAN Foldy Round 1 Burner Combination Unit with fold down glass lid. Stainless Steel. Matt Finish. 27 mm hole for tap. Includes Waste. Excludes Tap - see item 70019 - page 54. Depth: 180 mm.

- 10615** Dia. 300 mm; Weight: 5.5 kg
- 10623** Dia. 380 mm; Weight: 6.3 kg



CAN FOLDY SQUARE

CAN Square Foldy 1 Burner/Sink Combination Unit with fold down glass lid. Stainless Steel. Matt Finish. 27 mm hole for tap. Includes Waste. Excludes Tap - see item 70019 - page 54. Height: 180 mm.

- 10616** Depth: 360 mm; Length: 360 mm; Weight: 7.8kg
- 10624** Depth: 320 mm; Length: 350 mm; Weight: 8.3kg



CAN COMBINATION UNIT PV1364

The CAN PV1364 Combination unit is a compact unit that will fit where work-top depth is at a premium. Set on 755 x 355 tempered anti-scratch glass are 2 gas burners, one rated at 1.9kW and the other at 1.0 kW. Inset is stainless steel sink with a diameter of 260mm and 210mm depth. Available with the sink on the left hand side or right hand side.

Also available are glass lids to give it a fantastic finish. Excludes Tap; Incudes Sink waste.

- 10610RH** RH Sink
- 10610LH** LH Sink

70019 Can Fold Down Tap

- 10620LH** Glass Lid Hob LH
- 10620RH** Glass Lid Hob RH
- 10621LH** Glass Lid Sink LH
- 10621RH** Glass Lid Sink RH



Smev Series 9222

A one piece combination sink/2 burner hob. Can be supplied with either a right-hand or left-hand sink. Has two glass lids working independently. Piezo ignition. Includes sink waste. Excellent choice for small motorhomes. Colour : Inox. Excludes tap. imensions: Width: 900 mm; Depth: 375 mm.

Unit Options:

- 10110RH** RH Sink
- 10110LH** LH Sink

Fold Down Tap Options:

- 70004** Fold Down Mixer Tap - Hot & Cold
- 70004C** Fold Down Mixer Tap - Cold Only

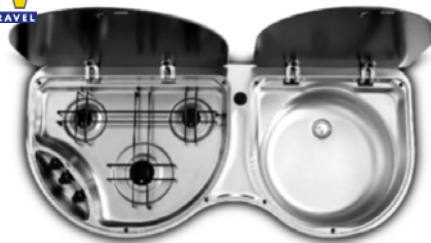


OVENS, GRILLS & ACCESSORIES



Smev Series 7123

Flush fitting 3 burner hob & sink combination unit with two black glass lids, electronic ignition & sink waste. Excludes Tap-see pages 53-54. Colour : Inox. Size: L: 800 mm, D: 460mm, Bowl depth: 135mm. **10040**



Smev Series 8123

Flush fitting 3 burner hob/sink combination unit with 2 black glass lids, hole for tap (excludes tap), 12v ignition & sink waste. See pages 53-54 for taps. Colour:Inox. Size: L: 970mm, D: 430mm, Bowl Depth 145mm. **10041**



CRAMER

CRAMER SINK/HOB

Cramer 2 burner hob with right hand sink combination unit with integral glass lid. Stainless steel. Size: Width : 600 mm, Depth: 445 mm. Excludes tap. For taps see page 53-54. **10502**



20 Litre Oven/Grill

Oven/grill with hinge down plain black glass door, grill, lamp, electronic ignition. Colour : Inox. Dimensions: H: 310 mm, W: 530 mm, D 410 mm. **10028**



30 Litre Oven/Grill

Oven/grill with hinge down plain black glass door, grill, lamp, electronic ignition. Colour : Inox. Dimensions: H: 430 mm, W: 530 mm, D: 415 mm. **10027**



SMEV Mini Grill

Series 555 mini grill, electronic ignition, light. Colour : inox. Dimensions: H: 240 mm, W: 485 mm, D:410 mm. **10082**



SERIES 402

4 Burner hob/grill, hinged down glass lid with electronic ignition. Colour: Inox. Dimensions: Height: 244 mm, Width: 484 mm, Depth: 514 mm. **10105**



GRILL PAN

Grill Pan suitable for grills & Series 400. **10098**



OVEN HANDLE

Replacement Oven Handle. Black. Suitable for SMEV 20 & 30 litres ovens and mini grill. **10102**


KITCHEN SPARES



SMEV TAP

Comet Roma Single Lever Mixer Tap with Spray Outlet. Plastic. Colour : Chrome.


70004 Hot & Cold
70004C Cold Only



CAN TAP

Chrome plate tap with swivel single faucet with ceramic valves. Suitable for CAN combinations fitted with glass lids. Size: Width: 90 mm; Height: 180 mm.

70019



LONDON TAP

Comet London Single Lever Fold Down Mixer Tap with microswitch. Plastic. Colour : Chrome. Suitable for CAN Sinks/Combination Units.

70018 Hot & Cold
70018C Cold



3/4" SINK WASTE

3/4" Sink Waste. White top & plug. Available Angled or Straight.

30346 Angled
30349 Straight



1 1/4" to 3/4" SINK WASTE



1 1/4" to 3/4" Sink Waste with Plug. Available Straight or Angled.

30347 Angled
30348 Straight



OTHER SINK WASTES

10126 Smev Sink Waste
10619 CAN Sink Waste

REPLACEMENT GLASS LIDS

Replacement glass lids for all SMEV products manufactured with a glass lid.

- 10084** Series 8006 Black (10050)
- 10085** Series 8005 Black (10024)
- 10086** Series 8022 Black (10025)
- 10087** Series 8023 Black (10051)
- 10088** Series 8123 Hob Side Black (10041)
- 10089** Series 8123 Sink Side Black (10041)
- 10090** Series 7123 Hob Side Black (10040)
- 10091** Series 7123 Sink Side Black (10040)
- 10093** Series 8306 Black (10046)
- 10103B** Oven 400 Black
- 10103S** Oven 400 Silver
- 10106LH** Series 9222 LH (10110LH & RH)
- 10106RH** Series 9222 RH (10110LH & RH)

REFRIGERATION



Vitrifrigo C47

The compressor mounted on the back has option mounting positions on the left or right hand side of the cabinet. The unit has black interchangeable door with locking catch. Supplied with a single shelf and slide out drawer. It is 12/24 v as standard. Dimensions: Width: 430 mm, Height: 393 mm, Depth: 630 mm, Capacity: 47 litres, Voltage 12/24 volt, Amps: 2.1/1.07 current.



30418



Vitrifrigo BRK35

This unit is ideal for campervans as it has a detachable compressor. Features:- Interchangeable door, Magnetic closure, Interchangeable MDF Door Panel. Specification:-

- Refrigerator Compartment Capacity : 40 Litres; Freezer Compartment Capacity : 3.6 litres; Internal Max Size of Ice Area : Height 70 mm, Width 246 mm, Depth 210 mm; Weight : 15.8 KG; Power Voltage : 12/24 volt : Nominal absorption (A) : 2.10 / 1.05 : Nominal Input (W) : 25,57; Absorption power kW 24h : 0,25 : Dimensions: W: 452 mm, H: 250 mm, D: 660 mm

30420



Vitrifrigo C39i

This unit is ideal for campervans as it has a fixed compressor. Features:- Interchangeable door, Magnetic closure, Interchangeable MDF Door Panel. Single shelf with bottle holder. Specification:-

- Refrigerator Compartment Capacity : 38 litres; Freezer Compartment Capacity : 3.6 litres; Weight : 15.7 KG; Power Voltage : 12/24 volt : Nominal absorption (A) : 2.10 / 1.05 : Nominal Input (W) : 25,57 : Absorption power 0.26 kW 24h ;

Dimensions: W: 390 mm, H: 544 mm, D: 345 mm

30419 C39i
30419F Frame



Vitrifrigo C42L

This unit is ideal for campervans as it has a detachable compressor. Features:- Interchangeable door, Magnetic closure, Interchangeable MDF Door Panel. Specification:- Refrigerator Compartment Capacity : 40 Litres; Freezer Compartment Capacity : 3.6 litres. Internal Max Size of Ice Area : Height 70 mm, Width 246 mm, Depth 210 mm; Weight : 15.8 KG. Dimensions: W: 380 mm, H: 529 mm, D: 328 mm Power Voltage : 12/24 volt ;

Nominal absorption (A) : 2.10 / 1.05;

Nominal Input (W) : 25,57; Absorption power kW 24h : 0,25



30421 C42L
30421F Frame



Vitrifrigo C51i

This unit features an external cooling unit. Standard Features Include : Interchangeable door, Magnetic closure, Interchangeable MDF Door Panel. Specification:-

- Refrigerator Compartment Capacity: 50 Litres; Freezer Compartment Capacity : 3.6 litres; Internal Max Size of Ice Area : Height 70 mm, Width 246 mm, Depth 210 mm; Power Voltage : 12/24 volt ;Nominal absorption (A) : 2,80/1,40 ; Nominal Input (W) 36,29; Absorption power kW 24h : 0,31;

Weight : 17.2 KG

Dimensions: W: 380 mm, H: 529 mm, D: 480 mm

30422 C51i
30421F Frame



Vitrifrigo C62i

This unit features an external cooling unit. Standard Features Include : Interchangeable door, Magnetic closure, Internal Light, Interchangeable MDF Door Panel. Refrigerator Compartment Capacity : 62

Litres; Freezer Compartment Capacity : 4.5 litres; Internal Max Size of Ice Area : Height 88 mm, Width 249 mm, Depth 206 mm. Weight : 19.6 KG. - Power Voltage : 12/24 volt : Nominal absorption (A) : 2,80/1,40: Nominal Input (W) 36,29 :

Absorption power kW 24h : 0,32

Dimensions: W: 450 mm, H: 529 mm, D: 550 mm



30423 C62i
30423F Frame

REFRIGERATION



Vitrifrigo C75L

This unit has a detachable compressor and external cooling unit. Standard features include: interchangeable door, magnetic closure, interchangeable MDF door panel. Refrigerator Compartment Capacity: 75 Litres. Freezer Compartment Capacity : 10.2 litres. Power Voltage : 12/24 volt. Nominal absorption (A) : 2,80/1,40. Nominal Input (W) 36,29. Absorption power kW 24h : 0,31. Weight : 21.2 kg.

Dimensions: W: 470 mm, H: 619 mm, D: 405 mm.

30427 C75L
30427F Frame



Vitrifrigo C90i

This unit features an external cooling unit. Standard Features Include : Interchangeable door, Magnetic closure, Interchangeable MDF Door Panel. Refrigerator Compartment Capacity: 87 litres. Freezer Compartment Capacity 10.2 litres. Weight : 25.5 KG. - Power Voltage : 12/24 volt. Nominal absorption (A) : 2,80/1,40. - Nominal Input (W) 36,29. - Absorption power kW 24h : 0,31.

Dimensions: W: 470 mm, H: 619 mm, D: 542 mm



30425



Vitrifrigo C115i

This unit has an external cooling unit. - Refrigerator Compartment Capacity : 118 Litres. Freezer Compartment Capacity: 17 litres. Weight : 28 KG. Power Voltage : 12/24 volt. Nominal absorption (A) : 2,80/1,40. Nominal Input (W) 36,29. Absorption power kW 24h : 0,32. Standard Features Include : Interchangeable door, Magnetic closure, Internal Light, Interchangeable MDF Door Panel.

Dimensions: W: 525 mm, H: 764 mm, D: 552 mm



30426



Vitrifrigo C37L

This stand alone unit is designed to be dropped into an existing work top and is ideal where locker space is at a premium. The C37L features an external compressor and tough thermoplastic lid.

- Weight : 15.5 kg

- Power: 12/24 v as standard, can be upgrade to multi voltage.

Dimensions: W:410 mm, H: 410 mm.

Capacity: 33 litres.



30428



Vitrifrigo FG-14

Vitri Frigo FG-14 small compact top loading fridge with detachable compressor. Ideal for small campervans where space can be limited.

Dimensions : Height : 401.6 mm including lid; 224 mm wide; 325 mm deep

Weight : 13 kg

Capacity : 14.5 litre



30440



NOVAKOOL 3000

This unit has a capacity of 71 litres with the following features:- ** Positive latch system and reversible door swing. ** Shelves with powder coated wire for durability and storage for tall bottles. ** 2 Year Manufacturer's Warranty on all components. ** Low battery protection to help prevent full discharge of batteries. ** Voltage DC - 12 v & 24 v. ** Weight: 19 kg. ** Front panel is black - can be changed to take 3 mm panel to match units. Dimensions: H: 619 mm, W: 483 mm, Fitting Depth: 350 mm min. Max Depth: 394 mm (to outside of door - sits proud of unit).

30451

REFRIGERATION



Coolmatic CD-30 built in drawer fridge

This unit is a smart solution in confined spaces; the cooling unit can be fitted to the side of the cooler (left/right) or up to 1.5 metres away. Features include:- Capacity: 30 litres, Input Power 12/24 volts DC, Power consumption: 40 watts 12/24V, Average running time: 0.66 Ma per hr 12v at 20 degrees, 1.3 Ahr at 32 degrees, Cooling performance +12 degrees to -2 degrees at 20-32 degree C ambient temperature. Colour: Black, Weight: 19 kg;
Dimensions: (L x W X H) 730 x 440 x 250 mm.

30436 CD-30
30436F Fixing Kit



CB-40

Built in Cooler for refrigeration and deep freezing. Danfoss compressor. Has minimal power consumption and quiet running. Designed for connection to 1224 volt (automatic switch over). Total volume: 40 litre; Size: H:455; W: 420; D: 260 mm, Voltage: 12/24 volts

30437



CRP-40

This unit has a detachable compressor together with the following features:- 39 litres fridge space, 5.3 litres freezer compartment with total weight of 18 kg. Voltage: 12/24 volts DC. With fully hermetic Danfoss compressor. Colour: Body: Black. Door Frame: Silver. Door Panel: Silver brushed stainless steel appearance. Interior light, door with magnetic seal. Can be hung left or right. Double Lock. Easy to change decor panel. Dimensions: Built in Size: W: 380 mm, H: 534 mm, D: 447 mm excludes door. With Standard Frame: W: 384 mm, H: 536 mm, D: 447 mm. With Flush Mounted Frame: W: 406 mm, H: 536 mm, D: 495 mm

30431S Standard Frame
30431F Flush Frame

30407



CR-50 STAINLESS STEEL

Built-in refrigerator in stainless steel finish with approx. 48 litre capacity including 5 litre freezer compartment. Includes: Danfoss compress, interior light, door with magnetic seal, variable door mounts, easy to change decor panel. Specification: 12/24 volts DC; Average power consumption: approx 40 watts; Current Consumption: 1.4 Ah/h at +25 deg cent ambient temperature; 1.7 Ah/h at +32 deg cen ambient temperature; both at +5°C interior temperature; and -18 deg cent in the freezer compartment. Insulation: CFC-free polyurethane foam; Weight: 19 kg. Size (W x D x H): 380 x 534 x 447 mm without door; 384 x 536 x 447 mm with standard frame; 406 x 536 x 495 mm with flush-mounted frame.

30431S Standard Frame
30431F Flush Frame

30431



CR-50 CHROME

Built-in refrigerator in chrome finish with approx. 48 litre capacity including 5 litre freezer compartment. Includes: Danfoss compress, interior light, door with magnetic seal, variable door mounts, easy to change decor panel. Specification: 12/24 volts DC; Average power consumption: approx 40 watts; Current Consumption: 1.4 Ah/h at +25 deg cent ambient temperature; 1.7 Ah/h at +32 deg cen ambient temperature; both at +5°C interior temperature; and -18 deg cent in the freezer compartment. Insulation: CFC-free polyurethane foam; Weight: 19 kg. Size (W x D x H): 380 x 534 x 447 mm without door; 384 x 536 x 447 mm with standard frame; 406 x 536 x 495 mm with flush-mounted frame.

30431CS Standard Frame Chrome

30431C



CR-65

Built-in refrigerator in stainless steel finish with approx. 64 litre capacity including 7.2 litre freezer compartment. Includes: Danfoss compress, interior light, door with magnetic seal, variable door mounts, easy to change decor panel; 12/24 volts DC; Average power consumption: approx 45 watts; Current Consumption: 1.6 Ah/h at +25 deg cent ambient temperature; 1.9 Ah/h at +32 deg cen ambient temperature; both at +5°C interior temperature; and -18 deg cent in the freezer compartment; Insulation: CFC-free polyurethane foam; Weight: 20 kg. Size (W x D x H): 448 x 525 x 492 mm without door; 452 x 527 x 492 mm with standard frame; 474 x 527 x 540 mm with flush-mounted frame.

30432S Standard Frame
30432F Flush Frame

30432

REFRIGERATION



WAECO
by Dometic GROUP

30433S Standard Frame
30433F Flush Frame

CR-80

Built-in refrigerator in stainless steel finish with approx. 80 litre capacity including 7.9 litre freezer compartment. Includes: Danfoss compress, interior light, door with magnetic seal, variable door mounts, easy to change decor panel; 12/24 volts DC; Average power consumption: approx 48 watts; Current Consumption: 1.8 Ah/h at +25 deg cent ambient temperature; 2.1 Ah/h at +32 deg cen ambient temperature; both at +5% C interior temperature; and -18 deg cent in the freezer compartment; Insulation: CFC-free polyurethane foam; Weight: 23 kg. Size (W x D x H): 475 x 640 x 475 mm without door; 479 x 642 x 475 mm with standard frame; 501 x 642 x 523 mm with flush-mounted frame.

30433



WAECO
by Dometic GROUP

30434S Standard Frame

CR-110

Built-in refrigerator in stainless steel finish with approx. 108 litre capacity including 10.2 litre freezer compartment. Includes: Danfoss compress, interior light, door with magnetic seal, variable door mounts, easy to change decor panel. 12/24 volts DC; Average power consumption: approx 50 watts; Current Consumption: 2.2 Ah/h at +25 deg cent ambient temperature; 2.5 Ah/h at +32 deg cen ambient temperature; both at +5% C interior temperature; and -18 deg cent in the freezer compartment; Insulation: CFC-free polyurethane foam; Weight: 28 kg. Size (W x D x H): 520 x 745 x 505 mm without door; 524 x 747 x 505 mm with standard frame; 546 x 747 x 553 mm with flush-mounted frame.

30434



WAECO
by Dometic GROUP

30435S Standard Frame
30435F Flush Frame

CR-140

Built-in refrigerator in stainless steel finish with approx. 136 litre capacity including 11.5 litre freezer compartment. Includes: Danfoss compress, interior light, door with magnetic seal, variable door mounts, easy to change decor panel. 12/24 volts DC; Average power consumption: approx 65 watts; Current Consumption: 2.3 Ah/h at +25 deg cent ambient temperature; 2.61 Ah/h at +32 deg cen ambient temperature; both at +5% C interior temperature; and -18 deg cent in the freezer compartment; Insulation: CFC-free polyurethane foam; Weight: 32 kg. Size (W x D x H): 525 x 805 x 619 mm without door; 529 x 807 x 569 mm with standard frame; 551 x 807 x 619 mm with flush-mounted frame.

30435

FRIDGE FRONTS - VOHRINGER PLY



Vöhringer

Cut from 3 mm Vohringer Ply fridge fronts are available in a range of colours. Please supply fridge make/model or approx. size when placing your order.

- 99201F** Beech
- 99203F** Graffiti Grey
- 99204F** Puntinella
- 99205F** American Cherry
- 99207F** Titanium
- 99208F** Carbon
- 99209F** Graffiti Folie
- 99212F** Maple
- 99214F** Light Oak
- 99215F** Walnut
- 99216F** Brushed Aluminium
- 99217F** Gloss Black
- 99218F** Matt Black
- 99230F** Makassar

REFRIGERATION



 Dometic

DOMETIC RM122

2 Way fridge, features include:-

** 30 litre capacity; ** Weighs 14.5 kg; ** Max Input - 12v 75W; ** Gas 455 btu/h

** Consumption: gas 170g/24h; ** 12v with electronic ignition.

Dimensions: H: 588 mm, W: 382 mm, D: 439 mm

30506



 Dometic

DOMETIC RM123e

3 way fridge, features include:-

** 30 litre capacity; ** Weighs 14.5 kg; ** Max Input - 240v 75W or 12v 75W

** Gas 455 btu/h; ** Consumption: electric 1.57kW24h, gas 170g/24h; ** 12v/240v with electronic ignition.

Dimensions: H: 588 mm, W: 382 mm, D: 439 mm

30503



 Dometic

DOMETIC RM5310

The new RM 5310 features a user-friendly control panel, interior light, flexible shelf system, door with magnetic seal, reversible door hinges, battery-powered ignition unit, thermostat regulation in 230 volt and gas mode, door lock with vent option and intergrated gas galvanometer. Specification: 60 litre capacity, 5 litre freezer; Battery Ignition; Height: 618 mm, Width: 486 mm; Depth: 474 mm; Weight: 20 kg; Energy consumption 230V @ amb temp 25 degree centigrade : 2.5kWh/24h; Engergy consumption gas 270 g/24h; Max input 12V : 120 Watt; Max input 230V : 125 Watt; Max input Gas : 18.3 g/h.

Replaces RM4213 & RM4211LM

30519



 Dometic

DOMETIC RM5330

The new RM 5330 features a user-friendly control panel, LED interior light, flexible shelf system, door with magnetic seal, reversible door hinges, battery-powered ignition unit, thermostat regulation in 230 volt and gas mode, door lock with vent option and intergrated gas galvanometer. Specification: 70 litre capacity, 5 litre freezer; Battery Ignition; Height: 821 mm, Width: 486 mm; Depth: 474 mm; Weight : 22kg; Energy consumption 230V @ amb temp 25 degree centigrade : 2.5kWh/24h; Engergy consumption gas 270 g/24h; Max input 12V : 120 Watt; Max input 230V : 125 Watt; Max input Gas : 18.3 g/h.

Replaces: RM4230L

30520



 Dometic

DOMETIC RM5380

The new RM 5380 features a user-friendly control panel, LED interior light, flexible shelf system, door with magnetic seal, reversible door hinges, battery-powered ignition unit, thermostat regulation in 230 volt and gas mode, door lock with vent option and intergrated gas galvanometer. Specification: 80 litre capacity, 5 litre freezer; Battery Ignition; Height: 821 mm, Width: 486 mm; Depth: 474 mm; Weight : 24kg; Energy consumption 230V @ amb temp 25 degree centigrade : 2.5kWh/24h; Engergy consumption gas 270 g/24h; Max input 12V : 120 Watt; Max input 230V : 125 Watt; Max input Gas : 18.3 g/h.

Replaces RM4281LM & RM4210

30518

REFRIGERATION SPARES & ACCESSORIES



DOMETIC VENT KIT

Dometic Vent Kit (L100 + L200).
Colour: White

30504



MPK FRIDGE VENT

MPK Vent. Colour: White. Size : 365 mm wide
x 139 mm high.

30508



MPK FRIDGE VENT

MPK Vent. Colour: Black. Size : 365 mm wide
x 139 mm high.

30509



DOMETIC FLUE KIT

Dometic Flue Kit.

30510



SHORT TAIL VENT

Round short tail vent-75 mm. Tail Length:
10mm.

60029G Light Grey



SHORT TAIL VENT

Round short tail vent-75 mm. Tail Length:
10mm.

60029B Beige



TWIN FRIDGE FAN

Double Fridge Fan. Complete with control
panel. Easy to install. **30095**

- | | | |
|----------------|-------------|----------------|
| 30419F | C39i | Fitting Frame |
| 30421F | C42L/C51i | Fitting Frame |
| 30423F | C62i | Fitting Frame |
| 30427F | C75L | Fitting Frame |
| 30431S | CR50/CRP40 | Standard Frame |
| 30431F | CR50/CRP40 | Flush Frame |
| 30431CS | CR50 Chrome | Standard Frame |
| 30432S | CR65 | Standard Frame |
| 30432F | CR65 | Flush Frame |
| 30433S | CR80 | Standard Frame |
| 30433F | CR80 | Flush Frame |
| 30434S | CR110 | Standard Frame |
| 30435S | CR140 | Standard Frame |
| 30435F | CR140 | Flush Frame |

FRIDGE FITTING
FRAMES



SPLIT CHARGER

Combi Master combined fridge power
supply and split charging relay.

20235



WAECO EPS-100W

EPS-100W: Mobitronic 230 volt rectifier.
For problem free connection to 230-volt
mains. **30293**



WAECO PERFECTPOWER

Waeco Perfect Power. Voltage Converter.
24 volt to 12 volt, 20 amp.

30373

REGULATORS & CONNECTORS



BUTANE GAS REGULATOR

Low Pressure Butane Gas Regulator. Maximum Inlet Pressure: 6 bar, Operating Pressure: 28 mbar, Capacity: 1 Kg/h, Inlet: Union 109, Outlet: 8 mm Nozzle.

30116



PROPANE GAS REGULATOR

Low Pressure Propane Gas Regulator. Maximum Inlet Pressure: 20 bar, Operating Pressure: 37 mbar, Capacity: 1 Kg/h, Inlet: POL 105, Outlet: 8 mm Nozzle.

30117



BUTANE GAS REGULATOR

Low Pressure Butane Gas Regulator. Maximum Inlet Pressure: 6 bar, Operating Pressure: 29 mbar, Capacity: 0.8 Kg/h, Inlet: 16x1.5, Outlet: 8 mm Nozzle.

30118



BULKHEAD REGULATOR

Caravan regulator 30 mb. W20 x 8 mm Compression.

30149



BULKHEAD REGULATOR

Caravan regulator 30 mb. 90 degree angle. W20 x 8 mm Compression.

30150



PIGTAIL - BUTANE

Butane Pigtail - 0.5 m.

30122



AUTOMATIC CHANGEOVER

Automatic changeover. 30 mb. 2 x W20 x 8 mm compression.

30151



CONVERTER

Camping Gas Bottle Converter

30134



PIGTAIL - PROPANE

Propane Pigtail - 0.5 m

30121

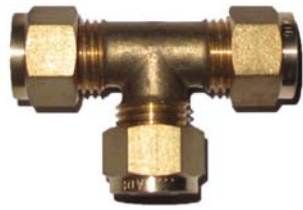
REGULATORS & CONNECTORS



ELBOW

WADE Elbow Imperial 5/16" both ends (8 mm).

30127



EQUAL TEE

WADE Imperial equal tee 5/16" (8 mm).

30135



NOZZLE

WADE Nozzle Adapter Rubber Hose - Imperial 5/16" (8 mm).

30147



BULKHEAD NOZZLE

WADE Rubber Hose to Imperial 5/16" (8 mm).

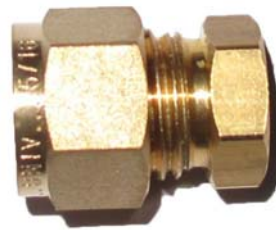
30132



COUPLING

WADE Equal ended coupling 5/16" (8 mm)

30131



BLANKING END

WADE Imperial Blanking End 5/16" (8 mm)

30142



COMPRESSION RING

WADE Imperial Copper Compression Ring 5/16" (8 mm)

30141



BLANKING PLUG

WADE Blanking Plug 8 mm (5/16")

30133



GAS ISOLATOR - 1 WAY

Gas Isolator Switches 1 Way. 8 mm (5/16").

30200



GAS ISOLATOR - 2 WAY

Gas Isolator Switches 2 Way. 8 mm (5/16").

30196



GAS ISOLATOR - 3 WAY

Gas Isolator Switches 3 Way. 8 mm (5/16").

30201



GAS ISOLATOR - 4 WAY

Gas Isolator Switches 4 Way. 8 mm (5/16").

30195



CONTROL TAP

Control tap. Needle valve operated tap with 5/16" equal ended copper.

30143

PIPEWORK



COPPER PIPE 8mm (5/16")

Copper Pipe. 8 mm (5/16") Dia. Available on the roll or by the metre.

- 30179** 30 metre coil
- 30179M** per metre



LOW PRESSURE HOSE

Low Pressure Hose 8 mm dia. available on roll or by the metre.

- 30120** 50 metre coil
- 30120M** per metre



HIGH PRESSURE HOSE

High Pressure Hose 8 mm dia. available on roll or by the metre.

- 30138** 50 metre coil
- 30138M** per metre



JUBILEE CLIPS

Zinc Plated Jubilee Hose Clips. Boxes of 10. Available in following sizes:-

- 30606** 11-16 mm MOO
- 30607** 13-20 mm OO
- 30608** 18-25 mm OX
- 30609** 35-50 mm 2A



GAS SEAL

Gas Sealer. Essential for sealing and connecting gas pipe work and connectors. 300 g tin.

- 30730** 300 gram Tin



GAS BOTTLE STRAP

Gas bottle retaining strap - fully adjustable. Colour : Black

- 30190**



GAS BOTTLE HOLDER

Heavy duty gas bottle holder. Can hold two 4.5 kg gas bottles. Alternatively can be cut in half to hold one 4.5 kg gas bottle.

- 30185**



LEAK DETECTOR SPRAY

LPG Gas leak detector spray.

- 30139**



BARBEQUE GAS POINT

Barbeque gas pint.

- 30145**

WATER HEATERS



PROPEX 240V HOT WATER HEATER

Specification:- * Super steel plate inner tank with wet enamel coating making this unit tough, strong and resistant to corrosion and water scale thus ensuring long life. * Ultra thick, non-CFC polyurethan foam to prevent heat loss & reduce energy costs. * Super compact design, novel & luxurious appearance, easy to mount. * Temperature meter and adjustment knob. * Multiple protection devices against, over temperature, over pressure and electricity leakage. Rated Voltage: 220 V, Rated Power: 900 W, Rated Frequency: 50HZ/60HZ, Rated Current: 4.1A, Rated Pressure: 0.8MPa (116psi), Min Start-up Pressure: 0.05MPa (7psi), Rated Water Temperature: 75 degree centigrade, Fitted Socket: 250V, 16A. Heating Efficiency: greater than 90%, Capacity : 10 Litres; Floor Mounted Brackets;Warranty: 5 year tank guarantee

Unit **30374**

Straight Connector 1/2 hose to 12 mm. **30369**



PROPEX MALAGA E WATER

This high capacity water storage heater is available in two versions, the standard Malaga, with an efficient gas burner, and the Malaga E, which has the additional benefit of a 750 watt electric heating element. Both heaters can provide a quick and efficient supply of hot water for showering and washing in leisure vehicles. **Main Features Include:-**

- * Large 13 litre capacity - for longer washing & showering time with electronic control.
- * Efficient gas burner - for faster warm up.
- * 750W element on Malaga E
- * Small Flue Terminal - neat appearance outside the leisure vehicle.
- * Safe - combustion production are completely sealed from the leisure vehicle interior.
- * Easy to Fit and Service - controls at back of unit.

30208 Malaga E



TRUMA ULTRA STORE

Powerful gas water heater which can be independent of a mains electricity supply and can produce a large quantity of hot water quickly and efficiently. .

Features include:-

- * An inexpensive gas powered water heater
- * Short heating times
- * Water temperature range 30 - 70 degree centigrade
- * Stainless steel water tank

Technical Data:-

Heating up time from 15 - approx 70 degree centigrade

10 litre		14 litre	
Gas Operation	: approx. 34 min	Gas Operation	: approx. 50 min
Electric Operation	: approx. 45 min	Electric Operation	: approx. 72 min
Gas & Electric Operation	: approx. 25 min	Gas & Electric Operation	: approx. 38 min
Weight (without water)	: 6.7 kg	Weight (without water)	: 7.3 kg

10 litre & 14 litre		120 g/h
Gas Consumption	(12 V) Ignition	0.17 A
Current Consumption	Heating Up	0.08 A
	Standby	0.04 A
	230 V	3.7 A
Water Pressure	up to 2.8 bar	

30219 10 litre

30220 14 litre



WIRING LOOM

Wiring loom with switch panel for Malaga E. **30260**



PROPEX ADAPTER PLATE

Required when changing from Cascade to Propex water heater. **30261**



REPLACEMENT VENT

Propex Malaga/Malaga E replacement vent kit. **30621**

HOT AIR HEATERS



PROPEX HS2000

Propex Heatsource blown air systems are used in many applications throughout the world, these include Motorhomes, Caravans, Boats, Cranes, Horseboxes, Mobile Workshops etc.

Main Features Include:-

Heat Input	2.1 kw
Heat Output	1.9 kw
Voltage	12v or 24v
Dimensions (mm)	L: 320, W: 172, H: 100

30209



PROPEX HS2800

Propex Heatsource blown air systems are used in many applications throughout the world, these include Motorhomes, Caravans, Boats, Cranes, Horseboxes, Mobile Workshops etc.

Main Features Include:- **HS2800**

Heat Input	3.0 kw
Heat Output	2.8 kw
Voltage	12v or 24v
Dimensions (mm)	L:415, W:210, H:120

30215



PROPEX HS2000E (Gas/240V)

The Propex HS2000E heater is an automatic thermostatically controlled blow air heating system fuelled by propane/butane gas or 240v mains electric. This heaters gives you the option of using mains hook-up to provide selectable 500W, 1kW or 2kW of heat output. Features include:- Heat Input 2.0 kw, Heat Output Gas : 1.9 kw Electric: 500W, 1kW, 2kW. Voltage Gas: 12v or 24v Electric: 230 volts AC 50Hz, Current Consumption: Gas: 1.4A Continuous running Electric: 9 Amps Maximum Current, Air Throughput: Gas: 60 CFM Electric: 60 CFM, Fuel: Gas: Butane or Propane Gas Electric: Mains, Dimensions : Length: 320 mm, Width: 172 mm, Height: 100 mm

30375



DOUBLE OUTLET KITS

Double Outlet Kit for HS2000 **30217-2000**

Double Outlet Kit for HS2800 **30217-2800**



SOCKETS & CABLE



SITE PLUG MALE

European standard 240 volt 16 amp 3 pin plug. Used for the connection of the mains hook-up lead to the site supply.

30230



SITE PLUG - FEMALE

European standard 240 volt 16 amp 3-pin coupler. Used for the connection of the mains hook-up lead to the caravan/motorhome.

30229



CONVERSION LEAD

Mains lead fitted with a site plug to be connected to most continental schuko type outlets. A moulded schuko plug to 16 amp European standard 3 pin coupler.

30225



CONVERSION LEAD

Mains lead fitted with a site plug to be connected to a domestic 13 amp outlet. Nylon 13 amp fused plug to 16 amp European standard 3 pin coupler.

30228



CONVERSION LEAD

Conversion lead with UK socket

30226



HOOK UP ADAPTER

Surface mounted European standard 240 volt 16 amp 3 pin inlet with protective cap. Used as a mains inlet point on caravan/motorhomes.

30223



HOOK UP ADAPTER

Flush fitting European standard 240 volt 16 amp 3 pin inlet with hinged 3 pin connector with splash proof enclosure(IP44).

30222W White
30222B Black



HOOK UP ADAPTER

Compact hook up skin. Flush mounting mains inlet 2-pin and earth connector. Specification : 240 Volt 16 Amp.

30378W White
30378B Black



HOOK UP LEAD - 10 m

Mains extension leads fitted with European standard 16 amp 240 volt 3 pin connectors.

30024 10 Metre



HOOK UP LEAD - 25 m

Mains extension leads fitted with European standard 16 amp 240 volt 3 pin connectors.

30029 25 Metre



TRIPLE SUPPLY UNIT

Good Quality Mobile supply unit available with triple socket.

30233 Triple Supply Unit

FUSE HOLDERS & FUSES



SINGLE FUSE HOLDER

Single Fuse Blade Holder Black
30253-1
30253-1PK Pack of 5



SINGLE FUSE HOLDER

Single Fuse Blade Holder White
30253-1W
30253-1WPK Pack of 5



4-WAY FUSE HOLDER

Fuse Blade Holder:Bottom Entry
30253-4
30253-4PK Pack of 5



4-WAY FUSE HOLDER

4 Way Fuse Blade Holder. Side Entry.
30253-4S
30253-4SPK Pack of 5



6-WAY FUSE HOLDER

Fuse Blade Holder. Bottom Entry.
30253-6
30253-6PK Pack of 5



8-WAY FUSE HOLDER

8 Way Fuse Blade Holder.Side Entry.
30253-8S
30253-8SPK Pack of 5



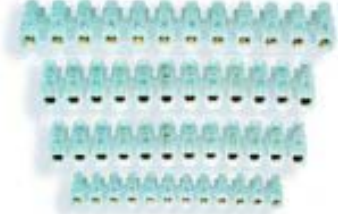
FUSE BOX

Fuse Blade including fuses.
30258B



BLADE FUSES

Pack of 10 Blade Fuses available in the following sizes:- 5 amp, 10 amp, 15 amp, 20 amp, 25 amp & 30 amp. **30278**



CONNECTOR STRIP

Connector Strip - 15 amp. Bag of 10
30300-15



ASSORTED BLADE FUSES

Box of assorted Blade Fuses with Blade Fuse Puller
30278B1



ASSORTED BLADE FUSES

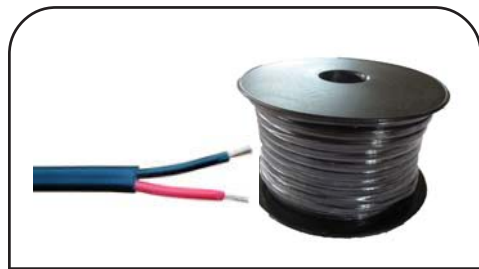
Box of assorted Blade Fuses Approx. 285 pieces.
30278B2



TERMINAL SELECTION

Terminal Selection Box. Approx. 530 pieces. Red/Blue Terminals.
30202

CABLE, SWITCHES & ADAPTERS



CABLE - 30 metre roll

8 AMP 2 Core Twin Cable Flat.2 x 14/0.30mm
(2 x 1.00mm sq) 8 amp **30270-8**
17 AMP 2 Core Twin Cable Flat.2 x 28/0.30mm
(2 x 2.00mm sq) 17 amp **30270-17**



ISOLATOR SWITCH

Battery Isolator Switch with cap

30214



ISOLATOR SWITCH KEY

Spare isolator switch key. Colour: Red.

30281



CABLE CLIP

CABLE CLIP Self Adhesive
30648 Pack of 50



CIGAR LIGHTER SOCKET

Illuminated cigarette lighter complete.
Illuminated green. 12 volt

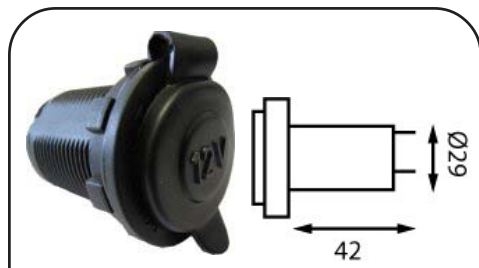
30276



CIGARETTE ADAPTER

Single cigarette adapter. Dimensions
: 94 mm Long.

30275



CIGAR LIGHTER SOCKET

Cigarette lighter socket. Threaded.
30284



CIGAR LIGHTER SOCKET

Cigarette lighter socket. 3 x screws.
30235



CIGAR SOCKET 12 VOLT

Berker 12v Cigar Socket
Colour : Anthracite
20238



SLIMLINE SWITCHES

30243 Beige
30236 Black
30381 Silver



CONSUMER UNIT - 1 TRIP

Consumer unit with RCD (16 amp) available
with 1 trip out and test button.
30187-16a 1 x trip out



CONSUMER UNIT - 2 TRIP

Consumer unit with RCD (16 amp) available
with 2 trip outs and test button.
30187-2-16a 2 x trip out

BATTERY TERMINALS & CHARGERS



POST BATTERY TERMINALS

Heavy Duty Post Type Battery Terminals with butterfly nut.

30248



BATTERY TERMINALS

Pure brass tin plated solderless heavy duty battery terminals.

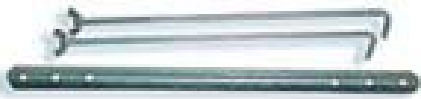
30249



SNAP ON BATTERY TERMINALS

W4 Snap on battery terminals. Bagged.

30247-W4



BATTERY RETAINING CLAMP

Battery Retaining Clamp

30368



TRANSFORMER

PowerPart Transformer Charger. Small unit. Runs all 12 volt auxiliary and charges battery at same time.

30188



SUPERCHARGE 151

A 150W battery charger/converter. It comes complete with a short mains input cable and DC output cable to connect to the 12v system. Size: L: 230 mm, W: 115 mm, H: 55 mm.

30189



SPLIT CHARGER

Combi Master combined fridge power supply and split charging relay. Allows the refrigerator to function whilst an auxiliary battery is being charged whilst towing.

20235



WAECO EPS-100W

EPS-100W: Mobitronic 230 volt rectifier. 100 w output, 24 v DC output, Mains voltage: 230 v AC, Size: 115 x 65 x 170 mm. Weight: 0.7 kg.

30293



WAECO PERFECTPOWER

Waeco Perfect Power. Voltage Converter. 24 volt to 12 volt, 20 amp.

30373

CONTROL PANELS



BONUS PMS - Vertical

Bonus Plug In Systems Power Management system PMS3 is a 230 Volt AC mains and 12 Volt DC power control unit, providing all the necessary features or the control of the electrics in your caravan, campervan, motorhome and/or horsebox. This unit is designed to work with a battery in the circuit, for optimum performance a good quality leisure battery is recommended.

This unit provides the following features:-

Mains 230 Volt AC: Earth leakage protection; Over Current Protection: Reverse polarity Indiction.

13.8 Volt DC : Fully Stabilised Power Supply/Battery Charger WITH short circuit and over current protection. Constant current limit at 12A.

4 Fused outputs, battery condition meter, battery change over switch, pump isolation switch.

30298



BONUS PMS - Horizontal

Bonus Plug In Systems Power Management system PMS3 is a 230 Volt AC mains and 12 Volt DC power control unit, providing all the necessary features or the control of the electrics in your caravan, campervan, motorhome and/or horsebox. This unit is designed to work with a battery in the circuit, for optimum performance a good quality leisure battery is recommended. This unit provides the following features:-

Mains 230 Volt AC: Earth leakage protection; Over Current; Protection: Reverse polarity Indiction; 13.8 Volt DC : Fully Stabilised Power Supply/Battery Charger

WITH short circuit and over current protection. Constant current limit at 12A. 4 Fused outputs, battery condition meter, battery change over switch, pump isolation switch.

30326



BONUS CP3

The CP3 control panel from the Bonus Plug-In Power Systems range has 12v distribution with power source selector and an analogue battery meter with 12v outputs fused at 10 amps. It is especially designed for caravan and motorhome installations, simple to install and requiring minimal attention in use. If cut out in furniture required then the cut out size is:- 150 mm width x 50 mm height with a depth of at least 60 mm required for fuse holders and harness/cable attachment to rear of panel. Also 4.8 mm insulated female spade terminals needed for connection on the rear of the panel.

30294



BONUS CHARGER

This CT leisure battery charger is a light weight and efficient unit. It combines power and safety to provide the ultimate battery charger. It is specifically designed for caravan and motorhome installations and is easy to install and requires minimal attention when in use. Features:- '3-stage' fast charge mode, compatible with flooded or AGM batteries, overcurrent, short circuit and thermal overload, fan protection, low temperature operation. Specification: Input power 337W, Output power 261W, Float mode 13.6V DC, Absorption mode 14.5V DC, Weight 1.69Kg. Size: L 176, W 162, H 74mm.

30379

CONTROL PANELS



ZIG VM4

Battery Status Meter. Measures 9 to 16 DC volts. Width: 82 mm, Height: 69 mm, Depth: 49 mm.

30244



ZIG MARQUE 1

Three way switched & fused 12v distribution plane including analogue battery condition monitor. Dimensions: Width: 175 mm, Height: 75 mm, Depth: 50 mm.

30241



ZIG CF9

Charging & distribution system.

30242



ZIG CF8

Battery charger & reducer (230-12v conversion) with a battery up to 4.5 amps continuously. Features: 3 x 10 amp switched & fused outlets, battery condition monitor, automatic self resetting, current overload & thermal trip. W: 206, H: 162, D: 110 mm.

30239 Brown
30239B Black



ZIG CPX-7

ZIG CPX-7 battery condition meter allows both the car & caravan battery voltages to be monitored from the caravan. Size: Width: 95 mm, Height: 60 mm, Depth: 50 mm.

30238



ZIG WG-4

Suitable for fresh water, plastic & metal tanks this 12v water gauge can be fitted to portable water carriers. At the push of a button the gauge provides an accurate reading of the contents of the tank down to the last few litres. Size: W: 85 mm, H: 65 mm, D: 60 mm.

30254



SARGENT EC155

The EC155 is a compact 155W power supply unit and charger. Features include:- RCD & 3x MCB mains output protection, 155w Electronic Charger / Converter -Battery input fuses, multiple output fuses, built in charging & EMC relays simplifying harness and loose part count, multiple relay switching channels. Includes EC Control Panel & all wiring & instructions.

30292



SARGENT AC50X

The AC50 control panel has an easy to use switch design to control Power, Entry Light, Water pump, and to read the battery level. This panel requires a separate relay to turn the leisure power on/off. Control Panel available with Light Grey or Dark Grey Surround.

30290G Dark Grey Surround Panel
30290S Silver Surround Panel

SWITCHES & SOCKETS



ISOLATOR SWITCH

Battery Isolator Switch with cap

30214



ISOLATOR SWITCH KEY

Spare isolator switch key. Colour: Red.

30281



MAINS TESTER

W4 Mains Tester

30227



SLIMLINE SWITCHES

Slimline switches with indicator light.

- 30243 Beige
- 30236 Black
- 30381 Silver



ELECTRIC OUTLET POINT

Bullfinch Electric Outlet Point. 220/240 Volt, 13 A electric socket. Weatherproof. Dimensions: 125 x 140 x 108 (deep) mm. Weight: 242 grams

30280



NEW

POWERDOCK

Vertical Powerdock. Includes 2 metre lead, moulded UK plug, anodised aluminium.

30382



TV POINT

Surface mounted TV point. Plastic. Colour : White.

30640



NEW

SATELLITE POINT

Surface mounted Satellite point. Plastic. Colour : White.

30660



NEW

TV/SATELLITE POINT

Surface mounted TV/Satellite point. Plastic. Colour : White.

30661

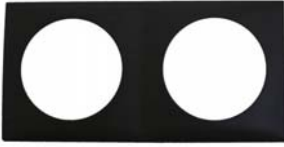
SWITCHES & SOCKETS



FRAME - SINGLE

Berker Single Frame.
Colour : Anthracite
Size : 60 mm x 60 mm

20236-1



FRAME - DOUBLE

Berker Double Frame.
Colour : Anthracite
Size : 60 mm x 119 mm

20236-2



FRAME - TRIPLE

Berker Triple Frame.
Colour : Anthracite
Size : 60 mm x 178 mm

20236-3



13 AMP SOCKET

Berker 13 amp Socket
Colour : Anthracite

20237



CIGAR SOCKET 12 VOLT

Berker 12v Cigar Socket
Colour : Anthracite

20238



TV/SATELITE POINT

Berker TV Satelite Point
Colour : Anthracite

20239



HINGED COVER

Berker Hinged Cover IP44
Colour : Anthracite


20240



BACKING BOX

Berker Backing Box
Colour : Off-white

20241

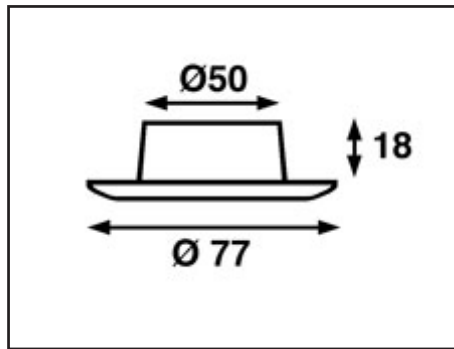


ROCKER SWITCHES

Berker Rocker Switch available as a single or twin switch
Colour : Anthracite

20242-1 Single
20242-2 Twin

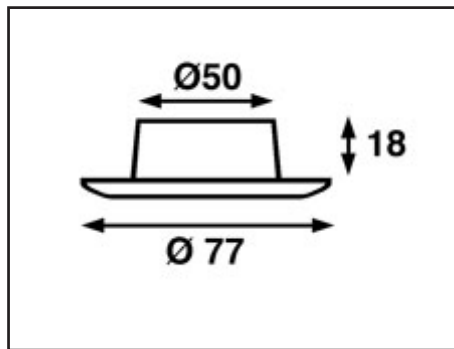
LIGHTS 12 VOLT



NOVA UNSWITCHED

Round plastic 12 volt light, unswitched. Bulb G4 10W.

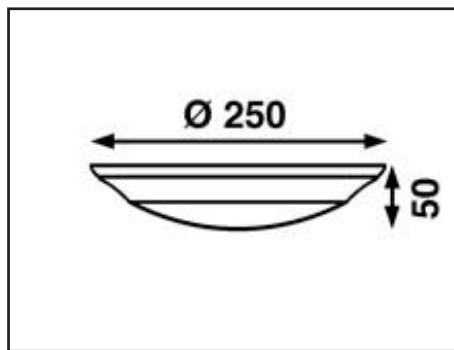
- 20001C** Chrome
- 20001SS** Silver Sand



NOVA SWITCHED

Round plastic 12 volt light, switched. Bulb G4 10W.

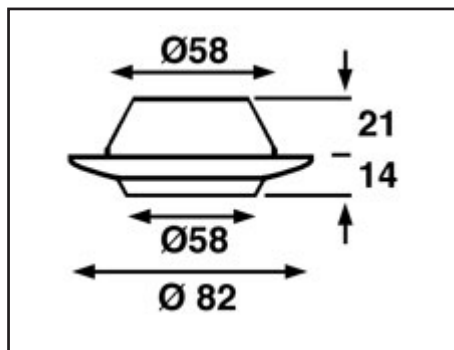
- 20004SSS** Silver Sand
- 20004CS** Chrome
- 20004GS** Gold



CIRRO

Round plastic 12 volt light, with 2 step switch. 20W.

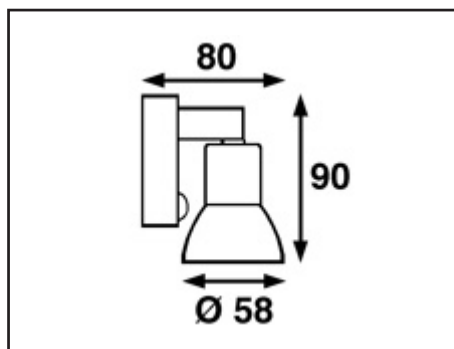
- 30344MS** Matt Silver



COMET

Mounted light. Bulb: G4 10 watt. Switched.

- 30357SS** Silver Sand

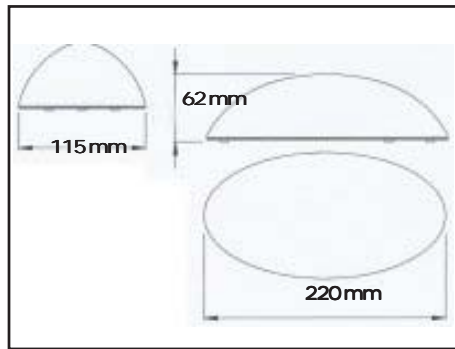


MINI

Wall Mounted light. Bulb : G4, 10 watt. Switched.

- 30355C** Chrome
- 30355SS** Silver Sand

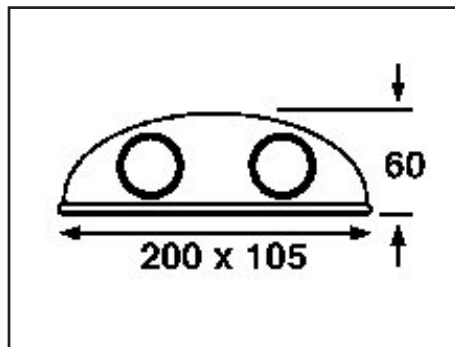
LIGHTS 12 VOLT



AWNING LIGHT

Labcraft Opal FX21. Colour: White. Weatherproof IP65. Low energy consumption Super bright light. Awning (half open) Trim. Dimensions: Width: 220 mm, Height: 115 mm, Depth: 62 mm. Bulb Watts: 21W. Weight: 0.16 kg

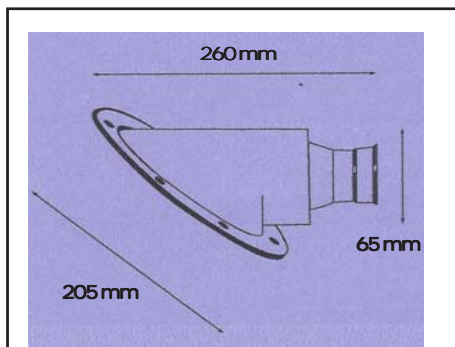
30240



SKY TWIN MR11

Plastic white 12 volt light, unswitched outside light. 2 x 10W.

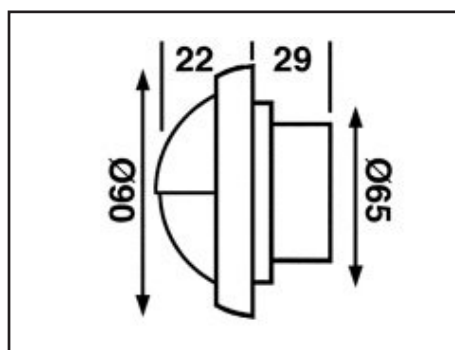
30342 White



DOCKING LIGHT

External 70 watt halogen side mounted reversing light. White plastic body. Flush Fit. 12v/55w bulb. Dimensions : see diagram. Sold in pairs.

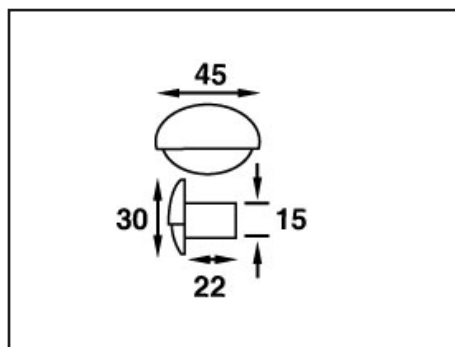
30186 Pair



TARGA CAP

Targa Cap 12 volt light, unswitched outside light. 10W.

30343W White
30343C Chrome

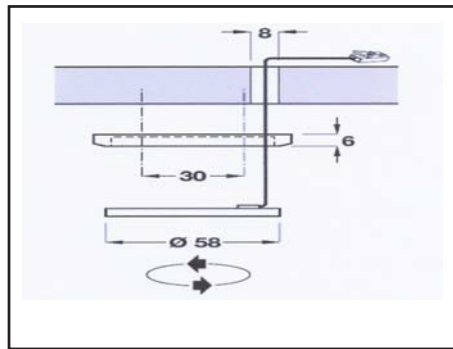
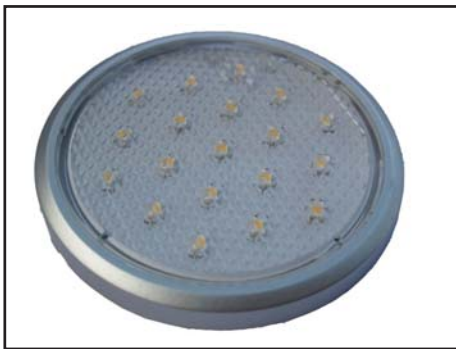


STEP

Plastic 12 volt light, unswitched outside light for lighting steps. 0.5W.

30345W White

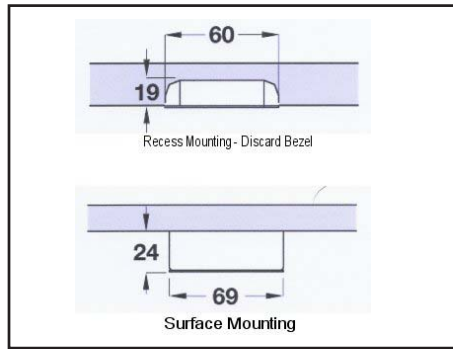
LIGHTS - 12 VOLT LED



DOWNLIGHT LED

Surface mounted. 19D, 1.2W Colour: Silver. Dia: 58 mm, Depth: 6 mm. Approx. 2.5 m of cable. Can be screwed or stuck to surface (screws & sticky pads included). Light detaches from surround.

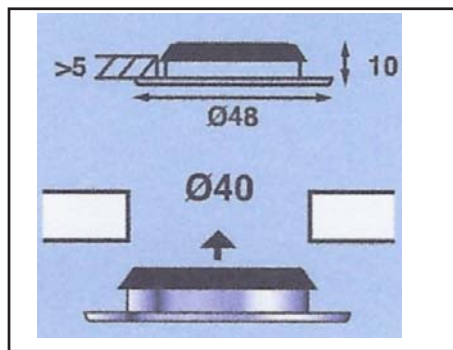
- 30366W** White
- 30366B** Blue



LED DOWNLIGHT

For recess or surface mounting. Includes 69 mm bezel. LED grid contains 21 diodes. Voltage 12 v; Wattage: 1.4W. Supplied with 1.5 m lead with connector. Satin stainless steel finish.

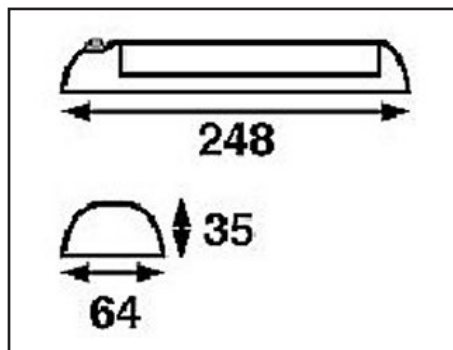
30394



VEGA 48 LED

Frilight Vega 48 LED. Brushed Stainless Rim. Six spots. Easy mounting no screws. Dia. 48mm. Depth: 6 mm. Hole cut out size 40 mm.

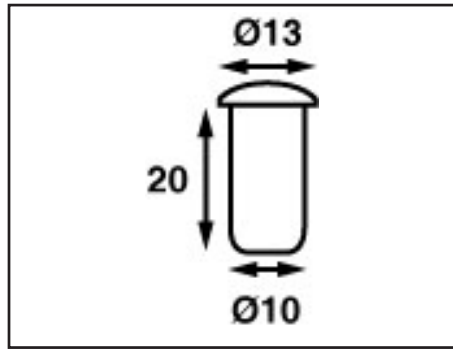
20005



SOFT WHITE LED

Soft white LED light with switch

- 20006** White



DOT LED

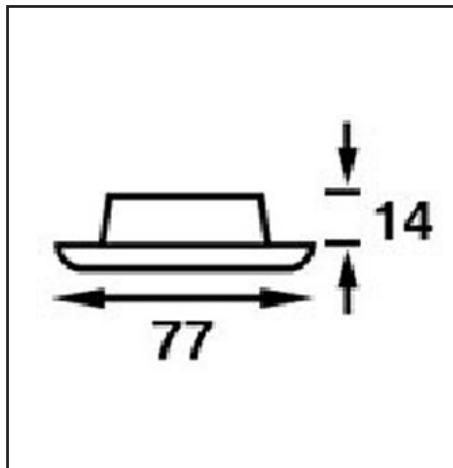
Dot White LED. 0.15 watt.

- 30356** White

LIGHTS - 12 VOLT LED



friLIGHT



NOVA LED 9

Round plastic 12 volt light, 1W.

UNSWITCHED

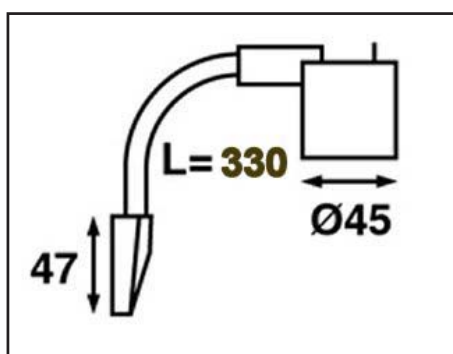
- 30338C** Chrome
- 30338SS** Silver Sand

SWITCHED

- 30327CS** Chrome
- 30327SSS** Silver Sand



friLIGHT



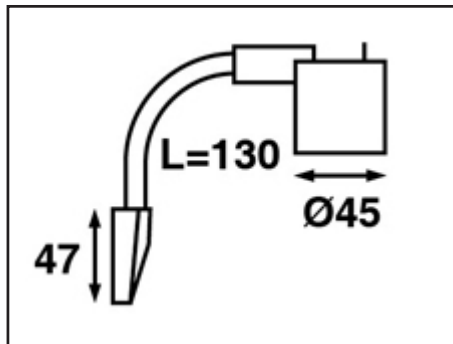
KURS LED LONG

LED mounted light. Switched. Available in a choice of black or matt silver. Arm length 330 mm.

- 30391B** Black
- 30391S** Matt Silver



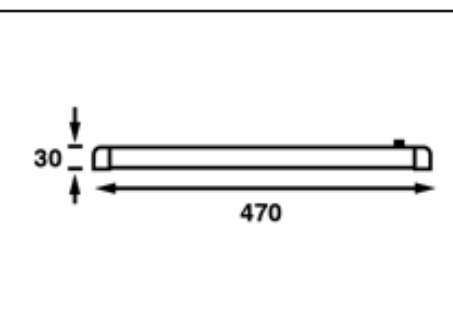
friLIGHT



KURS LED

LED mounted light. Switched. Available in a choice of black or matt silver. Arm length 130 mm.

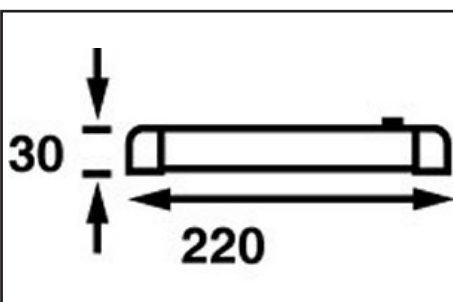
- 30365B** Black
- 30365S** Matt Silver



LED 30

Round plastic 12 volt light, switched. 1W. Surface Mounted allows lights to turn. Dimensions : Length : 470 mm, Depth : 30 mm.

30329



LED 9

Round plastic 12 volt light, switched. 1W. Surface mounted allowing light to turn. Dimensions: Length: 2200 mm; Depth: 31 mm; Width: 35 mm.

30376

HEALTH & SAFETY



FIRE EXTINGUISHER 600g

600g Fire Extinguisher (EI531) with easy trigger to activate. Light weight for easy application. BC rated for general purpose use. Quick release mounting bracket supplied.

30627



FIRE EXTINGUISHER 950g

950g Fire Extinguisher (EI533). Easy Trigger to activate. Light weight for easy application. BC rated for general purpose use. Quick release mounting bracket supplied.

30628



FIRE EXTINGUISHER 1 kg

1 kg Fire Extinguisher with gauge (EI535). High extinguishing performance. Suitable for all types of fire. Lightest for its capacity. High corrosion resistance. Bracket included.

30629



FIRE BLANKET

Fire Blanket. Ideal for kitchen/electrical fires.

30614



SMOKE ALARM

Smoke Alarm (EI206)
 * Battery Operated (Supplied).
 * National Caravan Club (NCC) Approved.
 * Hush button - silences nuisance alarms.
 * Easy to install - no wiring.
 * 5 year manufacturer's guarantee (limited).

30632



SMOKE ALARM-10 yr battery

Smoke Alarm (EI100)
 * 10 year lithium battery
 * Easy to install - no wiring.
 * Hush button - silences nuisance alarms.
 * 5 year manufacturer's guarantee (limited).

30633



CARBON MONOXIDE ALARM

Carbon Monoxide Alarm (EI204)
 * Easy to install - no wiring
 * Long life batteries supplied
 * Test/Hush Button
 * 2 year manufacturer's guarantee

30630



CARBON MONOXIDE ALARM

Carbon Monoxide alarm with digital display & memory. (EI206D)
 * Easy to install - no wiring.
 * Test/Hush Button.
 * Long life batteries supplied
 * 2 year manufacturer's guarantee (limited).

30631



CBE LPG & CO DETECTORS

30635 CBE LPG Gas Detector
30638 CBE CO Detector

PORTABLE TOILETS



BI-POT 30

Dimensions 43.5 x 34.5 x 30 cm
Upper Tank : 10 Litre
Lower Tank : 11 Litre
Weight : 4.1 kg

30340



BI-POT 34

Dimensions 43.5 x 36.0 x 30 cm
Upper Tank : 15 Litre
Lower Tank : 13 Litre
Weight : 4.7 kg

30086



BI-POT 39

Dimensions 43.5 x 36.0 x 39.2 cm
Upper Tank : 15 Litre
Lower Tank : 20 Litre
Weight : 4.8 kg

30341



ROYAL 20 Litre

Waste tank capacity 19.4 litres; Fresh water capacity: 18 litres; Dimensions: H x W x D: 367 x 380 x 446 mm; Weight: 4.1 kg.

30367



DOMETIC 972G

Space saving portable toilet with 360 degree pressurised flush. Details: Flush water tank capacity: 8.7 litres; Waste tank capacity 9.8 litres; Colour: White/Grey; Dimensions (W x D x H): 333 x 317 x 387 mm; Weight: 5.4 kg. **30324**



PORTA POTTI 335

Manual piston pump. Flush water tank : 10 litres. Fitted with rotating emptying spout, waste holding tank 10 litre, level indicator. Size: Height: 338 mm, Width: 343 mm, Depth: 381 mm. Colour: White.

30311

FIXED TOILETS



DOMETIC CTW3110

New cassette type toilet designed for vehicles without their own water supply. Adjustable seat (in 15 degree steps) up to 90 degree in both directions giving more flexibility in confined spaces. Locker door included. Specification: Water tank capacity: 19 litres; Colour: white; Dimensions (W x H x D) : 382 x 672 x 500 mm; Weight: 12.5 kg; Voltage: 12VDC; Current Consumption: 5 A max, with internal pump; Flush Water Tank Capacity: 7 litres.

30323

CTW3110 inc. locker door.

FIXED TOILETS



DOMETIC CTS3110

New cassette type toilet designed for vehicles with their own water supply. Adjustable seat (in 15 degree steps) up to 90 degree in both directions giving more flexibility in confined spaces. Locker door included. Specification: Water tank capacity: 19 litres; Colour: white; Dimensions (W x H x D) : 382 x 672 x 500 mm; Weight: 12.0 kg; Voltage: 12VDC; Current Consumption: 5 A max, with internal pump.

30322 CTS3110 inc. locker door.



THETFORD C402C

Cassette toilet, bench model with integrated flush water tank, waste holding tank & warning indicator. **Specification** : white finish - electric touch button flush - waste holding tank on wheels - LED display when waste tank full - integrated pour out spout - 19.3 litre waste capacity - 15 litre freshwater tank capacity. **Excludes Door & Filler Panel.**

30306 LH Model
30307 RH Model
30303D Door
30315 Filler Panel & Clips



THETFORD C-200CS

Thetford Cassette Toilet C-200CS with swivel bowl toilet for solutions that have existing water tank. Features include touch button electric flush and bowl that swivels up to 180 degrees - allowing additional washroom space. **Specification** : White Finish - Electric Flush - Integrated pour out spout - 17 litres waste capacity - freshwater tank capacity - dependent upon vehicle's central water tank capacity. **Includes door.**

30304 C-200S including door



THETFORD C-200CW

Thetford cassette toilet C-200CW, swivel bowl toilet with integrated flush water tank and manual flush, works independently from any 12v electric hook up and features a powerful piston pump. Features includes bowl that swivels up to 180 degrees - allowing additional washroom space. **Specification** : White Finish - Manual Flush - Integrated pour out spout - 17 litres waste capacity - Freshwater tank capacity 7 litres. **Includes doors.**

30303 C-200S including door

WASH BASINS & VANITY UNITS



CORNER WASHBASIN

Corner wash basin. White. Fits into work surface. Dimensions: 280 mm x 280 mm x 105 mm.

32002



CLEO VANITY

To match tip up wash basin (item no. 32000). White. Dimensions: H: 660 mm, W: 520 mm, D: 100 mm.

32001



CLEO TIP UP WASHBASIN

Tip up wash basin. White. Dimensions: H: 660 mm, W: 520 mm, D: 150 mm.

32000



TIP-UP WASHBASIN

Tip Up Wash Basin for Thetford C402. Colour : White

32031



VANITY UNIT (402)

Vanity Unit for Thetford C402. Colour : White

32030



NEW

THETFORD C402 with
Vanity Unit & Tip Up
Sink Fitted



3/4" SINK WASTES

3/4" Sink Waste. White top & plug. Available Angled or Straight.

30346 Angled
30349 Straight



1 1/4" to 3/4" SINK

1 1/4" to 3/4" Sink Waste with Plug. Available Straight or Angled.

30347 Angled
30348 Straight

SHOWER TRAYS



SHOWER TRAY

Flat white shower tray. Size: W: 670 mm, D: 670 mm, Tray depth: 115 mm

30299



THETFORD Recess
Shower Tray Combined



SHOWER TRAY

Sloping white shower tray. Size: W: 670 mm, D: 670 mm, Tray depth: 100 mm.

30302



SHOWER TRAY

This shower tray can be purchased separately or with the Thetford recess below to finish off your wash room. Dimensions: W: 690 mm, D: 580 mm, Shower Tray depth: 90 mm.

32003

FOR TAP

OPTIONS SEE

PAGE 53 - 54



THETFORD RECESS

To be used with 32003 shower tray above. White. Can be used with Thetford Toilets C-200CS & C-200CW. Dimensions: W: 690 mm, D: 600 mm.

32004



P CLIPS

P Clip. White. Pack of 10.

30272-6mm

30272-16mm

30272-19mm

30272-25mm

30272-31mm



Non-Toxic hose 1/2" BORE X 1/8" WALL 30 Metre Roll or sold by the metre.

30173 Red £16.50 per roll or £0.95/m

30176 Blue £16.50 per roll or £0.95/m



ADHESIVE SEALER

Polyurethane high bond adhesive sealer. Over paintable. 310 ml.

30604B Black

30604G Grey

30604W White

60101 Sealer Gun

SPARES



C200CW TOP DOOR

Thetford Toilet C200CW top water filler door.

30620



TOILET WASTE DOOR

Thetford Toilet waste door with Zadi lock.

30303D



HOLDING TANK C200

Holding tank for Thetford Toilet C200 CS & CW. Not Handed.

30308



HOLDING TANK C402

Holding tank for Thetford Toilet C402. Not Handed.

30317 £87.00



FRESH UP KIT

Includes toilet seat & lid, holding tank, 1 ltr tank cleaner & 500 ml bathroom cleaner.

30392



ROMA SHOWER

Comet Roma Replacement shower heads for items 70001 & 70003.

70200 Chrome

70201 White



REPLACEMENT SHOWER HEAD

White. Whale No. AS5123.

60036



REPLACEMENT TAP HEAD

Whale replacement tap head.

Whale tap head 1/2" BSP. White.

Whale no. AS5133

60037



SHOWER RAISER & HOSE

70011

Shower Hose. 1/2" Ended Chrome Hose. Length: 1.5 metres.

70016

TAPS



FOLD DOWN MIXER TAP

Comet Roma Single Lever Mixer Tap with Spray Outlet. Plastic. Colour : Chrome. Suitable for SMEV Sinks & Combination Units.

- 70004** Hot & Cold
- 70004C** Cold Only



ROMA MIXER TAP

Comet Roma single lever mixer tap with Spray Outlet. Plastic. Colour: Chrome.

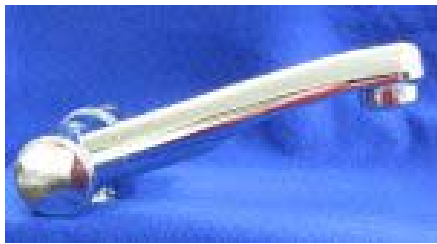
- 70002** Without Microswitch
- 70002M** With Microswitch



FLORENZA MIXER SHOWER

Florenza mixer shower with threaded outlet for shower hose. Plastic. Colour: Chrome. Ideal for external showers.

- 70202**



LONDON MIXER TAP

Comet London Single Lever Fold Down Mixer Tap with microswitch. Plastic. Colour : Chrome. Suitable for CAN Sinks/Combination Units.

- 70018** Hot & Cold
- 70018C** Cold



ROMA SHOWER - CHROME

Comet Roma Single Lever Shower Mixer Tap. Plastic. Colour : Chrome.

- 70003** Chrome



ROMA SHOWER - WHITE

Comet Roma Single Lever Shower Mixer Tap. Plastic. Colour : White.

- 70001** White



WHALE SWIM N RINSE

Whale RT2662 Swim N Rinse Mixer complete with Cover and Lock. White. Specification: Base Plate 67 mm x 292 mm; Depth beneath surface 88 mm; Pipework connections: 1/2" male threaded; Protected by hinged cover. **32016**



WHALE V PUMP

Self priming hand pump, suitable for freshwater, Angled spout and adjustable height, 8 litres per minute, Narrow mounting base. GP0650.

- 5 yr warranty. 30074**

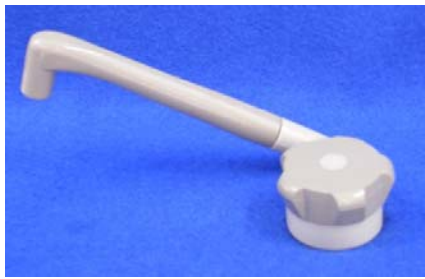


OUTSIDE SHOWER

Comet Outside Shower including box and 1.5 metres of hose.

- 70017**

TAPS



SUPER NOVA SINGLE TAP

Super Nova Single Plastic Tap with Microswitch.

70005 Grey/Grey



SUPER NOVA SINGLE TAP

Super Novo Single Plastic Tap with microswitch.

70006 Smokey/Cream



SUPER NOVA SINGLE TAP

Super Novo Single Plastic Tap with microswitch.

70014 Chrome/Black



SUPER NOVA MIXER TAP

Super Novo Mixer Plastic Tap with Microswitch.

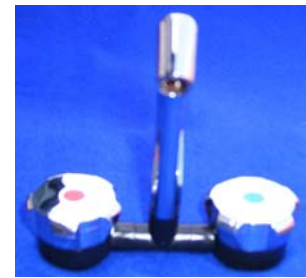
70008 Grey/Grey



SUPER NOVA MIXER TAP

Super Novo Mixer Plastic Tap with Microswitch.

70009 Smokey/Cream



SUPER NOVA MIXER TAP

Super Novo Mixer Plastic Tap with Microswitch.

70015 Chrome/Black



CAN FOLD DOWN MIXER

Chrome plate single lever mixer tap. Folds down. Suitable for CAN combi's & sinks with glass lids.

70019



WHALE TAPS

70203 Whale Elegance Single Tap White
70204 Whale Elegance Mixer Tap White
70205 Whale Elegance Shower Mixer Tap White

WATER TANKS



WATER TANK - 70 litres

Fiamma Stackable to increase tank storage. Water inlet pipe size : 38 mm dia. Water outlet 13 mm Dia. Dimensions: H: 240 mm, D: 470 mm, W: 700 mm. Weight : 3.7 kg. **30088**



WATER TANK - 12 litres

Suitable for fresh water. Dimensions: H: 260 mm, D: 125 mm, W: 425 mm. Capacity : 12 Litres. **32022**



ROLL TANK - 23 litres

Fiamma Fresh Water Roll Tanks. Size: H: 50 cm, W: 33 cm, D:25 cm. Weight 3 kg. Total Height of Fresh Water tank extended 100 cm. **30146**



WATER TANK - 35 litres

Fresh Water Tank. Dimensions: H: 230 mm, D: 240 mm, W: 600 mm. 35 litre capacity. **30148**



WASTE TANK - 25 litres

Waste Water Tank. Dimensions: H: 220 mm, D: 330 mm, W: 420 mm. Capacity : 25 litres. **30089**



ROLL TANKS - 23 litres

Fiamma Waste Water Roll Tanks. Size: H: 50 cm, W: 33 cm, D:25 cm. Weight 3 kg. **30144**



WASTE TANK - 19 litre

Includes pipe & fittings. Dimensions: H: 500 mm; D: 175 mm; W:285 mm. Capacity : 19 litres. **32014**



JERRY CANS 5L & 10L

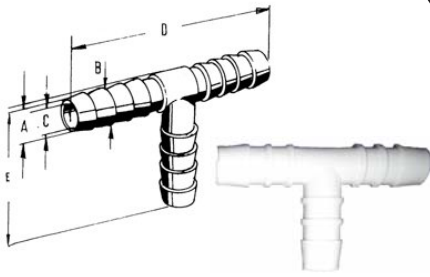
Jerry Cans 5 Litre & 10 Litres
5 Litre : 30092
 Size: H:305 mm, W:180 mm, D:130mm.
10 litre : 30091
 Size: H:295 mm, W:260 mm, D:170 mm.



JERRY CANS 25L

Jerry Can - 25 Litres
 Size: H:485 mm, W:335 mm, D:205 mm.
25 litre : 30090

WATER FITTINGS



T CONNECTOR

1/2" T Connector. Bag of 10 Colour : White
30168PK
 3/4" (19 mm) T Connector. Bag of 5. Colour: White
30168-19mm



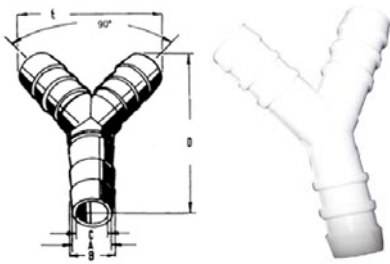
WATER TANK

Water Tank Outlet connector 12 mm
30170



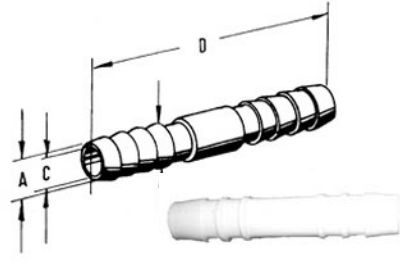
ELBOW

1/2" (12 mm) Elbow - Bag of 10
 Colour: White
30165PK



Y CONNECTOR

1/2" (12 mm) Y Connector. Colour : White
 Bag of 10
30167PK



STRAIGHT CONNECTOR

1/2" x 1/2" (12 mm x 12 mm)
 Straight Connector. Bag of 10
 Colour : White
30169PK



CONNECTOR/

Straight Connector 1/2 hose to 12 mm.
30369



3/4" SINK WASTES

3/4" Sink Waste. White top & plug.
 Available Angled or Straight.
30346 Angled
30349 Straight



1 1/4" to 3/4" SINK

1 1/4" to 3/4" Sink Waste with Plug.
 Available Straight or Angled.
30347 Angled
30348 Straight



ADHESIVE SEALER

Polyurethane high bond adhesive sealer. Over paintable. 310 ml.
30604B Black
30604G Grey
30604W White
60101 Sealer Gun

WATER PIPE & FILLERS



MPK WATER FILLER

Locking filler cap 40 mm complete with 2 keys. Available in Black or White.

- 30128** Black
- 30140** White



FIAMMA WATER FILLER

Fiamma locking water filler. 40 mm. Complete with 2 x keys, screws & seal. Available in Black or White.

- 30125** White
- 30126** Black



WATER HOOK UP

Mains water hook up point.

30183

Staight Connector 1/2 hose to 12 mm.

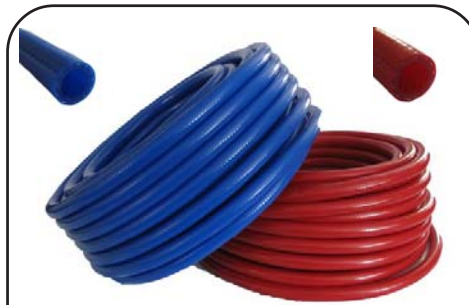
30369



SHOWER POINT

External Shower Point. Has 1.5 m of hose from connector end to end of shower head. Hose unclips for storage.

30182



REINFORCED WATER PIPE

Non-Toxic hose 1/2" BORE X 1/8" WALL 30 Metre Roll or sold by the metre.

- 30173** Red
- 30176** Blue



CONVELUTED HOSE

Waste Hose available in 2 sizes 20.5 mm or 40.0 mm. Sold in 30 metre rolls or by the metre.

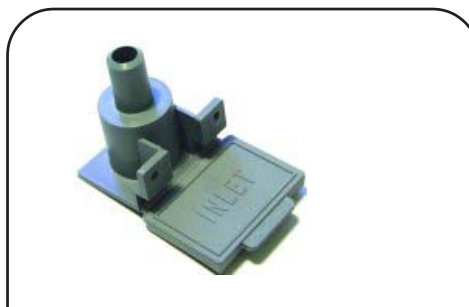
- 30177** 20.5 mm
- 30197** 40.0 mm



ZIG WG-4

Water Gauge Black

30254



INLET HOSE SOCKET

Inlet Hose Socket 12 mm

30174



OUTLET HOSE SOCKET

Outlet Hose Socket 19 mm

30172

WATER PUMPS



FIAMMA AQUA 8

Self priming water pump, will pump vertically over 3m without priming. Weight: 1.37 kg. 10 litres/minute, 1.5 bar, Absorbtion 3.4a. Size: H:130 mm, W:160 mm, D:225 mm.

30076 12 Volt



SHORFLO PUMP 24 V

24 Volts, 10.6 litres/min. 30psi. 71db. Self priming. Automatic 24v triple diaphragm pump with integral pressure switch. 10 Litres per minute. barbed hose connector and inlet side strainer Supplied.

30077S 24 Volt



FIAMMA EXPANSION TANK

Suitable for all pressure switch pumps. Eliminates the pulsating operation of pressure switch pumps & supplies a constant flow of water reducing water & electricity consumption.

30318 A20



COMET SUBMERSIBLE

Submersible water pump, 1 metre cable, 12 volt, 8 litres/minute, power 10-18 watt, Dia 48 mm, Height: 123 mm.

30078



COMET VIP PLUS

Comet immersion water pump, 12 volt, 1 metre cable, 20 litres/minute, power 35-45 watt. Dia: 48 mm, Height: 123 mm.

30079



COMET GEO IN-LINE

Comet In-Line Pump, 12 volt, 1 metre cable, 14 litres/minute, power 15-25 watt, Dia: 42 mm, Height: 150mm.

30080



GEO IN-LINE OUTSIDE

Comet In-line outside water pump, 12 volt, 1 metre cable, 14 litres/minute, power 15-25 watt, Dia: 42 mm, Height: 150mm.

30081



DOMETIC PRESSURE PUMP

Dometic pressure water pump. 10 litres or 17 litres. Available in 12 or 24 volt.

30740 12 Volt
30741 24 Volt
30742 12 Volt
30743 24 Volt



WHALE WATERMASTER SYSTEM

EP1312. A simple way to couple water & electrical connections for the sub mersible pump to outside water containers. Pump & socket can be disconnected for travelling. 12 volt. Item no. 33002 (W/M Socket ES1001) also required.

33003



WHALE WATERMASTER SOCKET

Whale Watermaster System Socket ES1001. See item no 33003 (Watermaster System Pump).

33002

SEITZ WINDOWS & ROOF VENTS

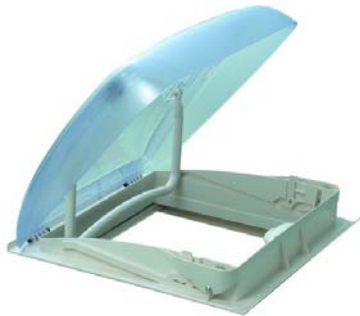
SEITZ WINDOWS



Seitz S4 Hinged Windows. Complete window system that features:-

- ** Fly screen and blackout roller blinds that can be clipped together and simultaneously adjusted with only one hand.
- ** Easy handling in different positions.
- ** High degree of insulation: blackout roller blinds with aluminium coating.
- ** Quick and easy installation.
- ** Robust quality with double acrylic glazing.
- ** Highly versatile:- for wall thicknesses of 26-41 mm (fitted by shortening the inner frame).
- ** Large range of sizes.

30710	350 x 500 mm
30711	700 x 350 mm
30732	900 x 400 mm
30731	900 x 500 mm
30712	1000 x 450 mm
30713	1000 x 500 mm
30714	1000 x 550 mm
30715	1000 x 600 mm
30716	1000 x 800 mm
30717	1100 x 450 mm
30718	1100 x 550 mm
30719	1100 x 700 mm
30720	1200 x 350 mm
30721	1200 x 500 mm
30722	1200 x 600 mm
30723	1200 x 700 mm
30724	1200 x 800 mm
30725	1300 x 550 mm
30726	1300 x 600 mm
30727	1450 x 550 mm
30728	1450 x 600 mm
30729	1450 x 700 mm



MINI HEKI PLUS

Small and smart rooflight specifically designed for installation in standard sized dome lights (400 x 400 mm). The Mini Hekiplus ensures a maximum incidence of light. Easy adjustment with operating lever. Opens in three positions; completely open, half open and bad weather position. No water can splash inside when the glass dome is in bad weather position. Available with fixed ventilation.

Frame Colour : cream white (RAL 9001).

Maximum opening angle : 50 degrees

Cut Out (mm) : 400 x 400

Installation Area (mm) : 550 x 510

Possible roof thickness (mm) : 25-60

Weight : 3.3 kg

30250 25-42mm

30395 43-60mm



MIDI HEKI

With the same comfort features and exceptional quality as the Mini-Heki but with bigger dimensions for installation: 700 x 500 mm.

Maximum Operating angle : 60 degree

Possible roof thickness (mm) : 25-60

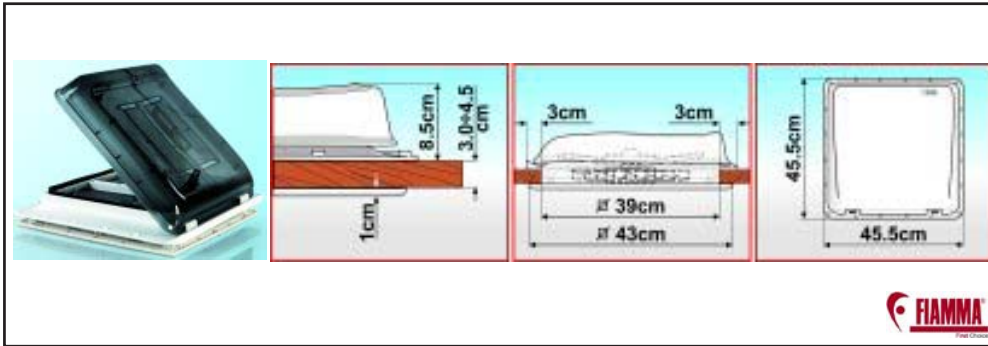
Cut Out (mm) : 700 x 500

Installation area (mm) : 880 x 650

Weight : 9 kg

30372

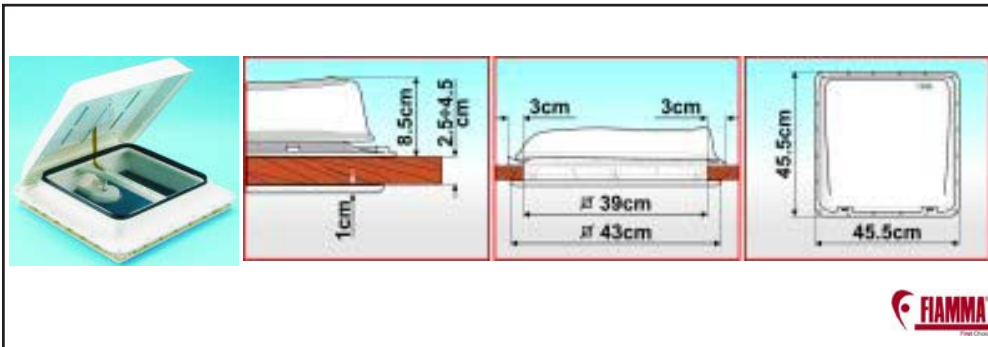
ROOF VENTS



TURBO VENT P3

Fiamma Turbo Vent.45.5 X 45.5 cm.Can be installed on roofs with depths of 3 cm to 8.5 cm using the optional extension kit.Colour:Outside frame white, inside frame ivory, cover white or crystal.

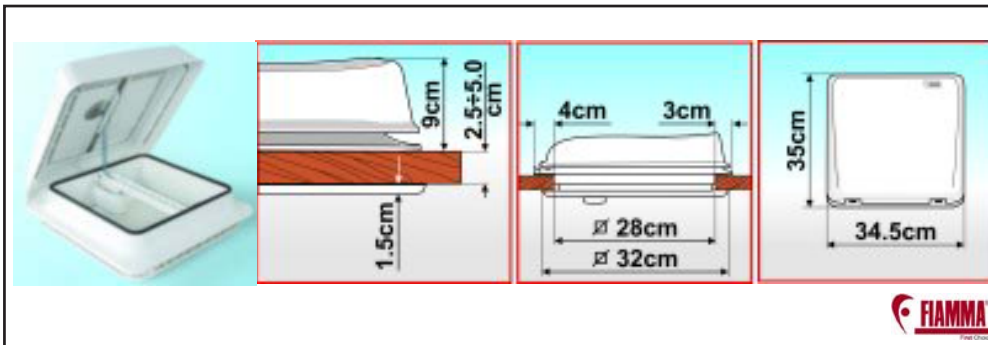
- 30263W** White
- 30263C** Crystal



VENT

Fiamma Vent. 45.5 x 45.5 cm. Can be installed on roofs with depths of 3 cm to 8.5 cm using the optional extension kit. Colour: Outside frame white, inside frame ivory, cover white or crystal.

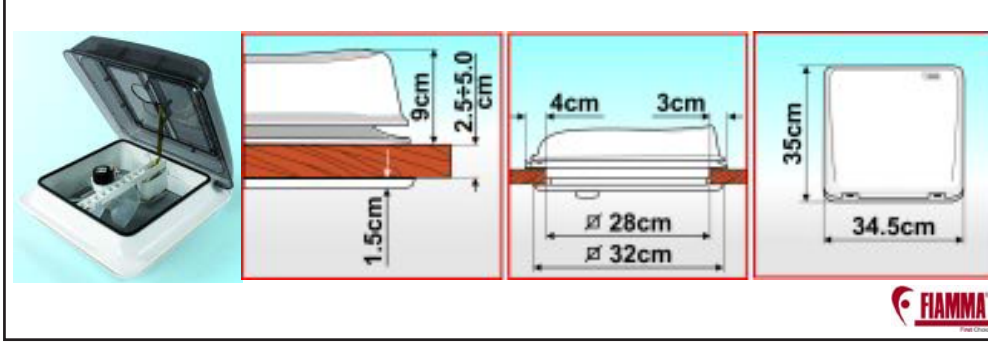
- 30205** White
- 30206** Crystal



VENT 28

Fiamma Vent 28. 28 x 28 cm rooflight, without fan, ideal for airing small spaces. Colour: Outside frame white, inside frame ivory, cover white or crystal.

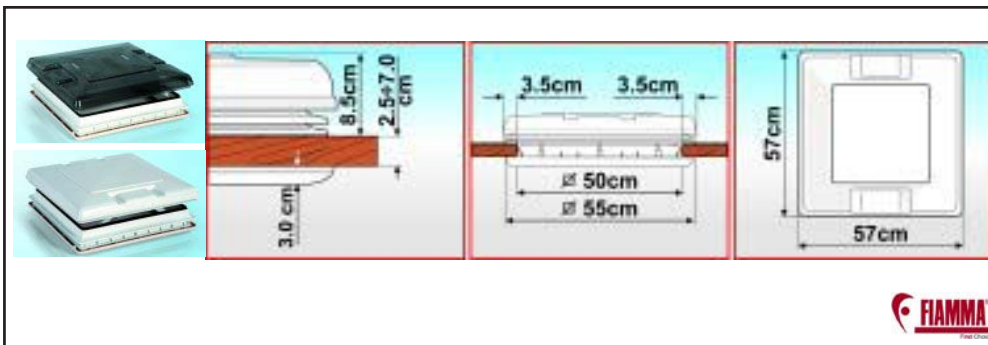
- 30224** White
- 30218** Crystal



VENT 28 TURBO

Fiamma Vent 28. 28 x 28 cm rooflight, with fan, ideal for airing small spaces. Colour: Outside frame white, inside frame ivory, cover white or crystal.

- 30277W** White
- 30277C** Crystal

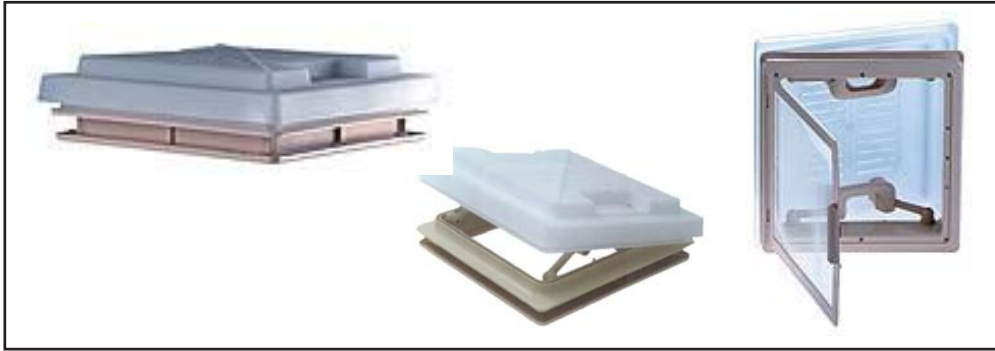


VENT 50 x 50

Fiamma Vent 50 x 50 cm. Opens on all four sides with practical handles. Colour: Outside frame white, inside frame ivory, cover white or crystal.

- 30251W** White
- 30251C** Crystal

ROOF VENTS/FUEL FILLERS



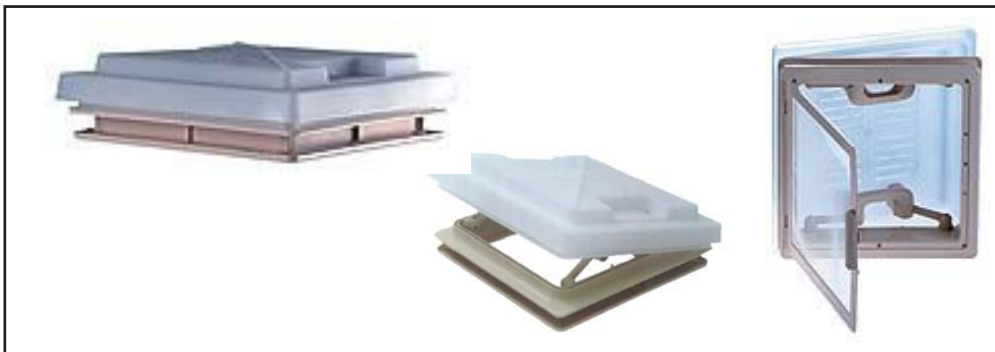
ROOF VENT 28 X 28 CM

MPK Roof Vent
 Size : 280 x 280 mm
 Fitted with flynet.
 Colour : Off White
30264



ROOF VENT 28 X 28 CM

MPK Roof Vent
 Size : 280 x 280 mm
 Clear domed roof light.
 Fitted with lock and flynet.
30267



ROOF VENT 40 x 40 CM

MPK Roof Vent
 Size : 400 x 400 mm
 Fitted with flynet.
 Colour : Off White
30265



ROOF VENT 40 x 40 CM

MPK Roof Vent
 Size : 400 x 400 mm
 Clear domed rooflight.
 Fitted with lock, flynet and blind.
30268



FIAMMA VENT EXTENSION KIT



Fiamma Roof Vent
 Extension Kit

30321



FUEL FILLER

Spring loaded fuel filler flap.
 Self colour Aluminium. Avail-
 able in two sizes:-

30130-S 245 x 190 mm
30130-L 205 x 255 mm

AIR CONDITIONING UNITS



DOMETIC CA-1000

Roof air conditioner with 1000 watts cooling capacity for 230 volt stationary operation, 12 volt mobile operation with optional DC kit, with thermostat temperature control. Specification:-

- ** For roofs from 35-50 mm thickness, for a smaller roof thickness use shorter bolts.
- ** Cool Capacity: 1.0 KW (3.400).
- ** Full Load Cooling : 2.3 Amp; ** Power : 230/50 V/Hz.
- ** Fuse : 3 Amp; ** Weight : 22 kg ** Consumption, cooling Mode : 450 W
- ** Blower : 2 speeds/Automatic.

Size: Width: 565 mm, Height: 199 mm, Depth: 690 mm.

Roof Opening: 400-435 x 400 - 435 mm

30285 CA-1000 Unit
30285K Kit



DOMETIC B1500S

Aerodynamic & modern design guarantees quiet operation & fast installation. 2 speed fan, thermostatic temperature control. Specification:-

- ** For roofs from 25-45 mm thickness, with optional adapter up to 75 mm.

** Cool Capacity: 1.5 KW (5.200)

** Full Load Cooling : 2.9 Amp

** Power : 230/50 V/Hz

** Weight : 30 kg

** Circuit : 14/0.15 Amp/sec

** Consumption, cooling Mode : 650 W, Consumption, heating Mode : 800 W

** Fan Speed 2.0 kW

** Fuse : 4 Amp

Size: Length: 980 mm, Width: 650 mm, Height: 235 mm. Roof Opening: 400 x 400 mm

30289



DOMETIC B2200

New Air Distribution box offers ultimate flexibility with integrated illumination.

Adjustable fan speed via remote control. Specification:-

- ** For roofs from 30- 80 mm thickness. Tilt insensitive up to 10 degrees.

** Cool Capacity: 2.05 KW (7.000)

** Full Load Cooling : 4 Amp

** Power : 230/50 V/Hz

** Weight : 34 kg

** Circuit : 18/0.15 Amp/sec

** Consumption, cooling Mode : 910 W, Consumption, heating Mode : 1200 W

** Fan Speed 2.0 kW

** Fuse : 5 Amp

Size: Length: 980 mm, Width: 650 mm, Height: 235 mm. Roof Opening: 400 x 400 mm

30296



DOMETIC B3200

New space saving interior design with amazing cooling capacity of 3.2Kw. Three fan speeds. Specification:-

- ** Different air outlet positions possible: front and/or back air distribution.

** Cool Capacity: 3.2 kW (10.920)

** Full Load Cooling : 6.3 Amp

** Power : 230/50 V/Hz

** Weight : 45 kg

** Circuit : 29/0.15 Amp/sec

** Consumption, cooling Mode : 1350 W, Consumption, heating Mode : 1600 W

** Fan Speed 3.0 kW

** Fuse : 10 Amp

Size: Length: 1025 mm, Width: 737 mm, Height: 245 mm. Roof Opening: 355 x 355

30297 B3200 Unit
30297D Diffuser Kit

TV ARIELS



MAGIC CIRCLE DIGITAL TV ARIEL

Battery powered giving 400 hours of continuous use.
 ** Independent self contained antenna system
 ** on/off switch and LED to conserve battery life
 ** designed for ground and sea level reception
 ** Highly effective in metal buildings & vehicles
 ** Powered by 4 x AA 1.5 Volt batteries (alkaline)
 ** Independent self contained antenna system
 ** Use anywhere - the choice is yours.

30618



TELCO WING DIGITAL TV ARIEL

Wing TV Antenna, Mini antenna (Dia. 310 mm only). Designed to receive UHF channels. However a special circuit configuration and a high gain amplifier make it possible to receive VHF B3 programs too. Supplied with 5 m coaxial cable, connecting plug, amplifier, 2 outputs for tv set, power supply 220V, 12&24 V.



30603



TELEPLUS X2/39U DIGITAL TV ARIEL

Designed and manufactured to gain higher sensitivity to weak signals. Using the polarity direction mechanism it is possible to receive all (digital & analog) TV signals which are transmitted on both horizontal and vertical polarity with top performance. The set includes a low-noise amplifier with adjustable gain which operates at 12/230 volt.
 ** Double Pole
 ** High gain 38db (with amplifier)
 ** Power supply @ 12 V/230v
 39 cm mast for installation inside a suspended wall unit.



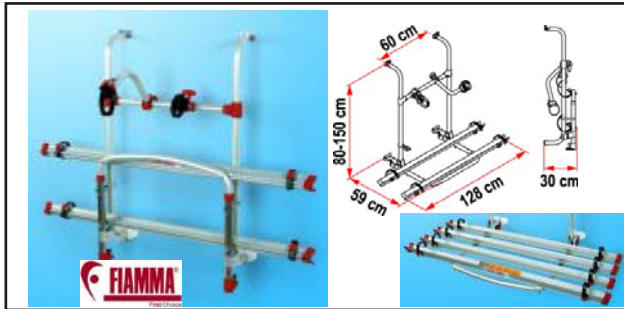
30619



TV ACCESSORIES

- 30640** TV Point
- 30660** Surface Mounted Satellite Point
- 30661** Surface Mounted TV/Satellite Point
- 20239** Berker TV/Satellite Point

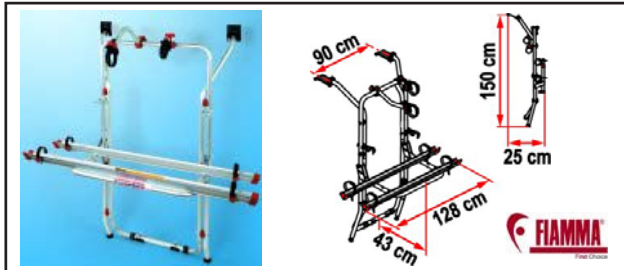
BIKE RACKS



FIAMMA PRO C BIKE RACK

Fiamma Pro C Bike carrier can be installed on all kinds of motorhomes. Carries up to 60 kg. Supplied with: 2 Rails Quick, Bike-Block Pro1 & 3.

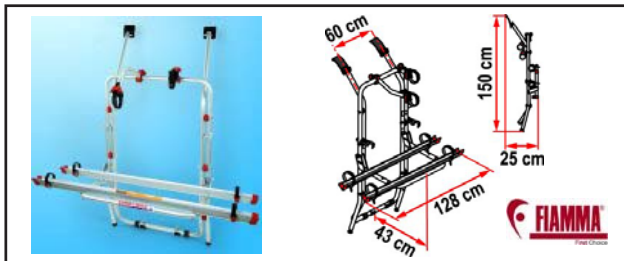
- 30530** Pro C - 2 rail quick 128 red & Bike Block Pro 1&3
- 30530R** Rail Quick Additional 128 cm rail
- 30530B2** Additional Bike Block Pro 2
- 30530B3** Additional Bike Block Pro 3
- 30530B4** Additional Bike Block Pro 4



FIAMMA VW T5 BIKE RACK

Fiamma Bike Rack for VW T5 (after July 2003). This bike rack is available for the Volkswagen T5 with either single or double rear door. Easy installation with the standard supplied brackets. No drilling to vehicle required. Supplied with:- 2 Rail Quick Red; 1 Bike Block Pro 1 & 3; 1 Rack Holder

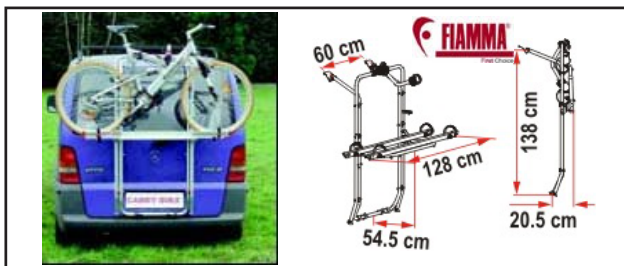
- 30539** Single Rear Door
- 30539D** Double Rear Door



FIAMMA VW T4 BIKE RACK

Fiamma Bike Rack for VW T4 (after 1991). This bike rack is designed for the Volkswagen T4 with single rear door. Easy installation with the standard supplied brackets. No drilling to vehicle required. Supplied with:- 2 Rail Quick Red; 1 Bike Block Pro 1 & 3 Red; 1 Rack Holder

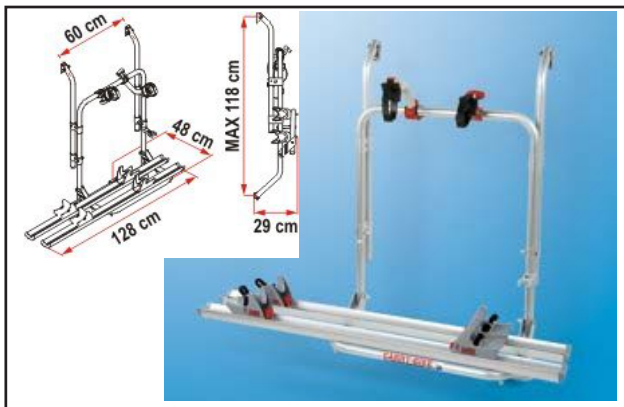
- 30540** Supplied as listed above



FIAMMA VITO/BONGO BIKE RACK

Bike carrier specifically made for the Mercedes Vito with single rear door. Easy installation with standard delivered brackets, without drilling the vehicle. Supplied with:- 2 rail quick red, 2 bike-blocks pro red (1 & 3), 1 rack holder, 1 security strip.

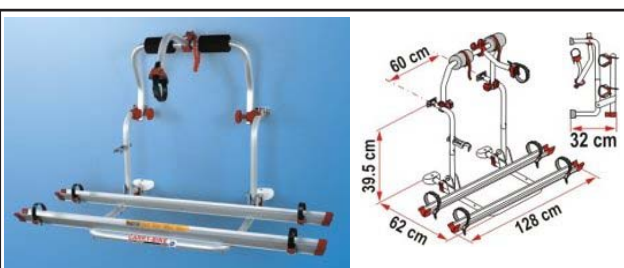
- 30545** Mercedes Vito/Mazda Bongo before 2004



FIAMMA 200D & 200DJ BIKE RACKS

Bike carrier for vans with double rear doors, wheelbase variable from 58 to 62 cm to adapt to different rear doors. Upper wall installation steel brackets are only 34 mm wide. Supplied with:- 2 rail premium; 1 bike block pro 1 & 2 red; 1 Rack holder.

- 30287** 200D
- 30399** 200DJ

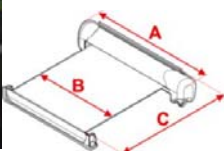


FIAMMA TRIGANO BIKE RACK

Bike carrier with a fixed structure and height of 39.5 cm. It comes without the upper & lower fixing kit and has a wheel base of 60 cm. Supplied with:- 2 rail quick red; 1 bike-block pro; 3 red and 1 rack holder.

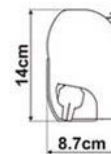
- 30288** Trigano Bike Rack

AWNINGS



FIAMMA F45S

Enhances any motorhome or campervan this awning is user friendly, silent and fast to erect. Made from aluminium. Colour: Outcasing Polar White. Material: Deluxe Grey. (Other colours available to order).



Part Number	Awning Length (A)	Canopy Length (B)	Extension Size (C)	Shape Surface (M sq)	Net Weight
30600-2.6	263 cm	247 cm	200 cm	4.9	19.5 kg
30600-3.0	308 cm	292 cm	250 cm	7.3	23 kg
30600-3.5	348 cm	331 cm	250 cm	8.3	24 kg
30600-4.0	398 cm	381 cm	250 cm	9.5	27 kg
30600-4.5	448 cm	431 cm	250 cm	10.8	30 kg

30600R Rafter for F45i Awning



FIAMMA F45S T5

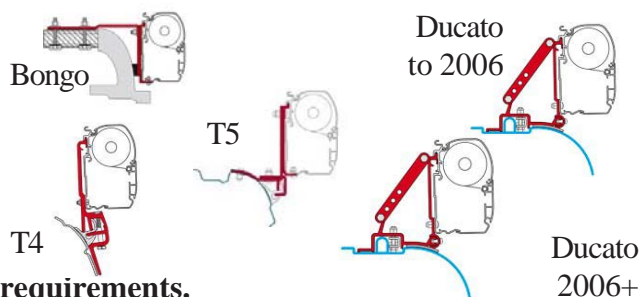
Specifically designed to fit the VW T5 with lift up roof and California. Standard installation brackets come as standard. Length: 2.6 m.

- 30680** T5 Awning with brackets for lift up roof
- 30681** T5 Awning with brackets for California with Multi Rail

F45 AWNING BRACKETS

Awning Brackets for Fiamma F45. Set includes 2 brackets.

- 30601** Bongo
- 30319** VW T4
- 30320** VW T5
- 30325** Ducato upto 2006
- 30383** Ducato 2006+



Brackets available for other vehicles. Please call with your requirements.

FIGURE OF 8 CHANNEL

Drive away channel. Also known as 'Figure of 8'. 75 cm length.



49100

AWNINGS



ROYAL TRAVELLER III

Strengthened frame with triangular angle bracing. Polyester roofed cotton sided awning for side opening motor caravans and camper vans. Front panel rolls up or can be used as window and door feature. Rear access can be curtained onto van by pole or figure 8. Supplied with full floorplan groundsheet. 23Kg. Roof: 250D Polyester Walls: 230-280g/m2 cotton Zip: 8mm Frame: 22/19mm Depth: 2m Width: 3.4m Centre Height: 2.15m Side Height: 1.85m Porch: 0.5m Rear: 0.4m.

30634



ROYAL TRAVELLER 4

The new awning for 2011 taking the classic square driveway style and adds extra living space to the front and provides a canopy over the side door. Dimensions: 300 cm wide, Depth from camper 520 cm including the attachment tunnel depth of 100 cm). Features fibreglass poles in the curved roof sections with angle steel pole legs in each corner and the front extension. Easy to erect with colour coded poles. Features a window on either side of the tent and two triangular windows at the front including curtains. Includes a groundsheet as standard and two berther inner sleeping tent. The awning attaches to the camper using a pole and clamp system but the edge is piped so the figure of 8 system can be used (not supplied).

30655



TRAVELLER ANNEX

The polyester flysheet and fibre glass poles create a strong yet light-weight motor annexe. The front door can be used as a canopy and a window on either side creates a light airy feel. Rear access can be curtained onto the van by pole or through a figure of eight. Specifications: Flysheet, Polyester, 300 cm wide, 470 cm long, 210 cm high. Supplied with inner tent and full floor plan groundsheet. **30616**

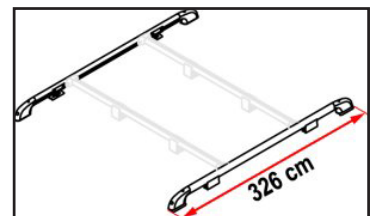
ROOF RAILS



FIAMMA ROOF RAIL

Luggage carrier system. Comprises : 2 parametric bars, easy to install on motor homes & caravans. Aluminum pressure die-casting. Tubes 300 cm long and easy to shorten. Complete with 4 aluminum support brackets.

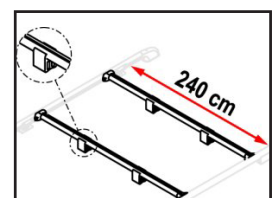
30084



FIAMMA FIXING BAR RAIL

Aluminum extrusion 240 cm long. Can be shortened easily. Includes 2 bars, each with 2 fixing terminals in aluminum pressure die-casting and 2 rubber spacers.

30269



LIFTING ROOF



*** STOCKED ITEM***



Designed and manufactured by Autohaus and Grassroutes Leisure for a short wheel based VW T5. This well designed roof is complete with fitting frame and inside covers including 3 LED lights pre fitted, 3 x windows with zip in covers. Please feel free to call for more information. We can also offer training on installation of this product or a fitting service. This item can be collected or alternatively we can arrange delivery.

- 30560** Roof
- 30570** Roof Bed



TOWING



BREAKAWAY CABLE

Breakaway Safety Cable with Split Ring.
31000



LASHING RING

Pull strength 650 kgs back. High impact plastic with steel zinc plated ring.
50201



SAFETY CABLE BRACKET

Safety Cable Bracket.
31001



SPACER

Spacer available in three sizes:-

- 31003-12mm** 12mm
- 31003-25mm** 25mm
- 31003-38mm** 38mm



BALL BRACKET

50 mm Ball Bracket
31002



DROP PLATES

Drop plates for lowering the height of ball bracket. Excludes Bolts.

- 31006** 128 x 100 mm 4 holes
- 31005** 128 x 150 mm 4 holes
- 31004** 128 x 200 mm 6 holes



CLAMP for JOCKEY WHEEL

Clamp & Bolt for 35 mm Jockey Wheel.
31007



7 PIN N SOCKET

7 Pin n Socket Plus Fog Cut-Out
31008



7 PIN N PLUG

7 Pin n Plug
31009

TOWING



7 PIN S PLUG

7 Pin S Plug.
31010



7 PIN S SOCKET

7 Pin S Socket.
31011



WIRED TWIN SOCKET

Pre-wired Twin Socket
31012



JOCKEY WHEEL 200 MM

Deluxe Heavy Duty Jockey Wheel.
200 mm Steel Wheel
31016



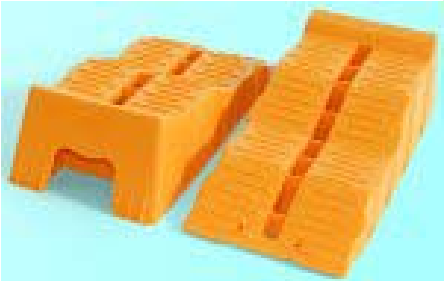
JOCKEY WHEEL 225 MM

Deluxe Heavy Duty Jockey Wheel.
225 mm Steel Wheel
31015



CLAMP

31015C Clamp for 31015
31016C Clamp for 31016



LEVEL UP

Fiamma 13 cm high multi leveller for
vehicle weights of up to 5 tons.
Weighs : 1.5 kg. 2 Piece Package.
Colour: Yellow.
41001



ANTI SLIP PLATE

Fiamma optional anti-slip plate to
block the level system on paved
surfaces only. 2 Pieces. Dimensions:
100 x 160 mm.
41002



CHECK LEVEL

Fiamma chock for use with Level Up
to secure the wheels during long
stopovers. Weight: 130 grams. 2
Pieces.
41003

EQUESTRIAN ACCESSORIES



STUBBS BRIDLE RACK

Stubbs Bridle Rack. Metal, plastic coated. Colour: Black. Depth: 70 mm. **50001**



SADDLE RACKS

A range of saddle racks including:- removable metal saddle rack. Available in 2 tier, 3 tier & 4 tier. Folding Saddle Rack. All Plastic coated. Colour: Black.

- 50003** Stubbs 2 Tier Removable Saddle Rack
- 50004** Stubbs 3 Tier Removable Saddle Rack
- 50005** Stubbs 4 Tier Removable Saddle Rack
- 50006** Folding Saddle Rack



STUBBS HARNESS RACK

Stubbs Harness Rack Set. Four Pieces. Metal, plastic coated. Colour: Black.

50012 £16.25



TRAILER TIE

Stretchy trailer tie. Colour: Multi Colour **50020**



TIE RING

Pull strength 650 kgs back. High impact plastic with steel zinc plated ring.

50201



STUBBS LORRY TIDY

Stubbs Tall Muck Collector. Colour: Black.

50008



ASSORTED ACCESSORIES

- 50019** Hook Set
- 50021** Breakpoint Tether



STUBBS LUGGAGE RACK

Stubbs Luggage Rack. Metal, plastic coated. Colour: Black. Height: 34cm, Width: 67cm, Depth: 37cm. Weight: 3.35 kg **50014**

INDEX

A			H			S		
Accuride	8	Handbrake Adapter	15	Saddle Rack	70			
Air Conditioning	62	Harness Rack	70	Safety Net	11			
Anexes	66	Hi Flex Velour	13	Sargent	40			
Aqua 8	58	High Pressure Hose	32	Satellite Point	41			
Ariels	63	Hinges	8	Sealer	14,51,56			
Awning Brackets	65	Hobs	19	Seat Swivels	16			
Awnings	65	Holding Tanks	52	Seats	15			
B			Hook	70	Seitz	59		
Battery Clamps	38	Hook up Adapter	35	Shelf Support	10			
Battery Terminals	38	Hot Air Heater	34	Shorflo	58			
Beading	7	I			Shower Heads	52		
Berger	42	Isolator Switches	31,37	Shower Hose	52			
Bike Racks	64	J			Shower Point	57		
Bonus Plug In Systems	39	Jockey Wheel	69	Shower Raiser	52			
Bracket	10,68	Jubilee Clips	14	Shower Trays	51			
Bridle Rack	70	L			Single Lipped T Trim	7		
Butt Hinges	8	Ladders	6	Sink Wastes	23, 50,56			
C			Lashing Ring	68	Sink/Hob Combinations	20, 21		
Cable	35, 37	Leak Detector Spray	32	Sinks	17, 18			
Cable Clip	14,37	Lifting Roof	67	Site Plugs	35			
Can Taps	54	Lights	43-46	Sliding Table Rail	6			
Caraloc	9	Lining	13		17, 18, 19, 20, 21,			
Carbon Monoxide Alarm	47	Lock	9	SMEV	22			
Catch	9	Locker Door Trim	7	Smoke Alarm	47			
Channel	65	Low Pressure Hose	32	Socket	57, 69			
Chargers	38	LPG Connectors	31	Spacer	68			
Cigar Lighter Socket	37	Luggage Rack	70	Sportscraft	15, 16			
Clamp	68	M			Stay	9		
Comet	53	Mains Tester	41	Storage Net	11			
Comet Pumps	58	Malaga Water Heater	33	Supply Unit	35			
Consumer Units	37	Material	12	Switches	37, 42			
Control Panels	39, 40	Mats	11	T				
Conveluted Hose	57	Modesty Block	10	T5	13, 65			
Conversion Lead	35	N			Table Furniture	6		
Copper Pipe	32	Nova Taps	54	Table Legs	6			
Corner Profile	7	Novakool	25	Table Top Trim	7			
Corners	10	O			Table Tops	5		
Cover Cap	10	Oven Handles	22	Tape	14			
Cranked Hinges	8	Ovens	22	Taps	23, 53, 54			
Curtain Track	11	P			Telco	63		
Curtains Ready Made	13	P Clips	10,51	Terminals	36			
D			Pigtail	30	Thermal Blinds	11		
Dometic	28,58,62	Plug	68	Toilet Spares	52			
Double Lipped T Trim	7	Portable Toilets	48	Tools	5			
E			Powerdock	41	Towing	68		
Edging	7	Propex	33, 34	Trim	7			
End Cap	10	Push Lock	9	Truma	33			
Equestrian	70	R			TV Accessories	63		
Extension Kit	61	Refrigerator Spares	29	TV Point	41			
F			Refrigerators	24, 25, 26, 27, 28	U			
Fiamma	6,48,55,58,64,69	Regulators	30	Ultrastore	33			
Fiamma Level Up	69	Roof	67	Upholstery	12			
Fire Blanket	47	Roof Bed	67	V				
Fire Extinguishers	47	Roof Rails	66	Vanity Units	50			
Fixed Toilets	48, 49	Roof Vents	59-61	Velour	13			
Fridge Fronts	5	Runners	8	Vitri Frigo	24, 25			
Fridges	24, 25, 26, 27, 28	S			Vohringer	1, 2, 3, 4, 5		
Frilight	43-46	T			W			
Fuel Filler	61	Table Furniture	6	Waeco	26, 27			
Fuse Holders	36	Table Legs	6	Washbasins	50			
Fuses	36	Table Top Trim	7	Water Connectors	56			
G			Table Tops	5	Water Filler	57		
Gas Bottle Holder	32	Tape	14	Water Gauge	40			
Gas Sealer	14	Taps	23, 53, 54	Water Heater	33			
Glass Lids	23	Telco	63	Water Hook Up	57			
Glue	14	Terminals	36	Water Pipe	51, 57			
Grill Pan	22	Thermal Blinds	11	Water Pumps	58			
Grills	22	Toilet Spares	52	Water Tanks	55			
		Tools	5	Whale	53,54,58			
		Towing	68	Windows	59			
		Trim	7	Z				
		Truma	33	ZIG	40			
		TV Accessories	63					
		TV Point	41					

TERMS & CONDITIONS

1. DEFINITIONS

- 1.1 "Grassroutes" shall mean Grassroutes Leisure Limited (registered number 04770712 whose registered office is situated at Unit 9, Lopen Business Park, Mill Lane, Lopen, South Petherton, Somerset TA13 5JS.
- 1.2 "Buyer" shall mean the person, firm or company who places an order with Grassroutes.
- 1.3 "Goods" shall mean the goods and/or services to be supplied by Grassroutes.
- 1.4 "Price List" shall mean Grassroutes price lists published from time to time.
- 1.5 "Price" shall mean the sum stated to be paid by the Buyer to Grassroutes for the supply of Goods together with such other sums as may be payable to Grassroutes under these Conditions.
- 1.6 "VAT" shall mean Value Added Tax.

2. GENERAL

- 2.1 The contract will be upon these Conditions which supersede all other terms and conditions.
- 2.2 If the Buyer places an order for delivery of Goods this shall be deemed to constitute unqualified acceptance of these Conditions.

3. TITLE IN PROPERTY

The property in the Goods shall remain with Grassroutes until the Buyer has paid to Grassroutes the Price of all Goods supplied and all other sums owed by the Buyer at any time to Grassroutes on any ground whatsoever (including, without prejudice to the generality of the foregoing, all sums owed to Grassroutes by the Buyer at any time in respect of any supply of goods under any other contract).

4. CONTRACT PRICE

- 4.1 The price payable shall be the price shown in the Grassroutes Price List (available on request) current at the date of acceptance of the Buyer's order, subject to additional pre-agreed terms as notified to the Buyer in writing.
- 4.2 Prices are exclusive of freight, carriage and VAT.
- 4.3 All Prices may be subject to alteration without notice.
- 4.4 Special orders placed with Grassroutes may be subject to special prices which will be given at the time of order placement and will be deemed to be binding solely for that particular order.
- 4.5 All sums due under the contract are exclusive of VAT or other similar sales taxes which shall be paid by the Buyer.

5. PAYMENT TERMS

- 5.1 Grassroutes shall be entitled to raise an invoice for the Goods upon delivery.
- 5.2 The Buyer shall pay Grassroutes in full within 30 days of the date of invoice. Time for payment shall be of the essence.
- 5.3 Until payment in full has been received Grassroutes reserves the right to:
 - 5.3.1 charge interest on a daily basis on all sums not received by the due date at the rate of 2% per annum above the current base lending rate of National Westminster Bank plc whether before or after judgement;
 - 5.3.2 withhold or suspend performance of any contractual obligation to the Buyer without notice, while any account with Grassroutes remains overdue;
 - 5.3.3 terminate the contract if the delay in payment exceeds thirty (30) days; and
 - 5.3.4 Charge the Buyer for all costs incurred during the recovery of an outstanding debt.
- 5.4 No payment will be deemed to have been received until Grassroutes has received it in cleared funds.

6. PASSING OF THE RISK

Risk in the Goods will pass to the Buyer upon delivery or if earlier when they are placed at the Buyer's disposal. Grassroutes shall be entitled to make delivery by installments in which case each instalment shall be regarded as constituting a separate agreement to which these conditions apply.

7. DELIVERY

- 7.1 Any date or period for delivery shall be considered as indicative only and not contractually binding upon Grassroutes. After the Buyer's order is accepted and the Buyer's payment has cleared we will endeavor to deliver within five working days.
- 7.2 If Grassroutes are delayed in the performance of the contract by any act or default on the Buyer's part, or any industrial dispute or any circumstance beyond our reasonable control then the Delivery Date shall be extended by such period as may be reasonable.
- 7.3 Orders forwarded through third party carriers may be subject to an additional carriage charge at the prevailing rate at the time of despatch.

8. ACCEPTANCE

- 8.1 The Buyer must upon receipt inspect all Goods and inform the courier by marking the courier's paperwork appropriately to indicate if there is any damage or problem with the goods on receipt. The Buyer must also inform Grassroutes by telephone on the day of receipt (or by leaving a message on Grassroutes' answer phone if the office is closed) if a claim for damage or loss in transit of the Goods is to be made. In respect of the Buyer's obligations hereunder time shall be of the essence. In the event of non-delivery the Buyer must give written notice to Grassroutes immediately upon whichever shall be the earlier of receipt of our invoice or, where an estimated arrival time has been given, upon expiry of that time. **NO CLAIMS WILL BE CONSIDERED AND NO LIABILITY ACCEPTED BY GRASSROUTES UNLESS NOTIFICATION IS RECEIVED WITHIN THE TIME SPECIFIED UNLESS OTHERWISE REQUIRED BY LAW. THIS DOES NOT AFFECT THE BUYER'S STATUTORY RIGHTS.**
- 8.2 Grassroutes shall in no circumstances be liable to the Buyer by reason of any representation (unless fraudulent) or any implied warranty, condition or other term, or any duty at common law or under the express terms of the Agreement for any indirect or consequential loss or damage, including in particular, loss of anticipated profits, goodwill or reputation which arise out of or in connection with the supply of Goods or their use by the Buyer.

9. RETURNED GOODS

At our sole discretion Grassroutes may accept goods returned in a good and resalable condition and in original packaging (repacked in the manner in which they were delivered to the Buyer) in which case a handling charge of 25% will be payable by the Buyer when the Goods are returned. The handling charge will be quoted as a percentage of the net invoice value of the Goods returned.

10. DESCRIPTION

- 10.1 Grassroutes shall as soon as is practicably possible notify the Buyer of any proposed improvements, modifications or changes to the components or material composition of the Goods.
- 10.2 The Goods are not tested or sold as fit for any particular purpose as this will vary according to the Buyer's requirements and the Buyer must rely on the Buyer's own skill and judgement and enquiries in deciding whether the Goods are fit for a particular purpose. The Buyer acknowledges that the Buyer is in the best position to make these decisions.
- 10.3 All samples, drawings, descriptive matter and advertising issued by Grassroutes (or the manufacturer of the Goods) and any description or illustration contained in our catalogues or other literature are issued or published for the sole purpose of giving an approximate idea of the Goods represented by or described in them. They will not form part of the Contract and this is not a sale by sample.

11. GUARANTEE

- 11.1 Grassroutes reserves the right where, in its reasonable opinion, a defect in Goods is (or may be) covered by a manufacturer's warranty to direct the Buyer to resolve any such claims directly with the manufacturer in accordance with the manufacturer's warranty. To the extent that such defect is covered by the manufacturer's warranty Grassroutes will not be liable to the Buyer for any damages, costs, losses or other liabilities incurred by the Buyer in respect of such defect.
- 11.2 The Buyer is responsible for ensuring the Goods ordered are suitable for the purpose for which they were required.

12. LIMITATION OF LIABILITY

- 12.1 Neither party shall be liable to the other for any indirect or consequential loss or damage, loss of profit, loss of use or production or of contracts which the other may suffer arising out of any breach by a party of its obligations under the Contract and whether the same be due to negligence by that party or not.
- 12.2 Nothing in these conditions affects the Buyer's statutory rights.
- 12.3 So far as such exclusion is permitted by English Law, any express or implied condition or warranty or term statutory or otherwise as to the quality, fitness, compliance with description, or sample of the whole or any part of the Goods, or replacement thereof, or as to the quality of any work or repair or replacement is hereby excluded.

13. LICENCES AND CONSENTS

If a licence or consent of any government or other authority is required for the acquisition, carriage or use of Goods by the Buyer, the Buyer shall obtain the licence or consent at its own expense and if requested produce evidence of it to the Seller on demand.

14. HEALTH AND SAFETY

- 14.1 The Parties shall comply with all current Safety and Environmental legislation in the performance of this Contract.
- 14.2 The Buyer shall advise Grassroutes what safety requirements and obligations apply to the Buyer's business and premises under Health and Safety legislation or regulations.
- 14.3 LPG goods are supplied on the condition that they will be fitted by a qualified LPG gas installer.

15. TERMINATION PROVISIONS

- 15.1 Grassroutes may terminate the Contract with immediate effect by notice in writing to the Buyer on or at any time after the occurrence of any of the following default events:
 - 15.1.1 A receiver or administrative receiver is appointed in respect of the Buyer or over all or part of the Buyer's assets or undertakings if the Buyer becomes bankrupt;
 - 15.1.2 The Buyer announces that it has ceased to trade or intends to cease to trade;
 - 15.1.3 The Buyer suspends payments of their debts or is unable to pay or admit or state their inability to pay their debts as they fall due;
 - 15.1.4 The Buyer disposes or threatens to dispose of all or a material part of their assets whether by one or a series of transactions;
 - 15.1.5 The Buyer convenes, calls or holds a meeting of their creditors or makes any arrangement, voluntary arrangement or composition with their creditors;
 - 15.1.6 The Buyer's directors make or state an intention to make or give notice of a proposal in relation to the Buyer for a voluntary arrangement under Part 1 of the Insolvency Act 1986;
 - 15.1.7 A petition is presented for the Buyer's winding-up or administration;
 - 15.1.8 A resolution (other than for the sole purpose of and followed by reconstruction or amalgamation, approved by the Seller) is passed for the Buyer's voluntary winding up;
 - 15.1.9 The Buyer is dissolved;
 - 15.1.10 The Buyer suffers the levy or enforcement of any execution, distress, sequestration, detention or other process on any property or premises.
- 15.2 The termination of this Agreement howsoever arising is without prejudice to the rights duties and liabilities of either party accrued prior to termination. The clauses in this Agreement which expressly or impliedly have effect after termination shall continue to be enforceable not withstanding termination.

16. SET OFF

The Buyer shall make no reduction from the amount payable under each invoice on account of any set-offs or claim or counter-claim unless both the validity and the amount thereof have been admitted by Grassroutes in writing.

17. INTERPRETATION

These conditions and the contract to which they relate are governed in all respects by English Law and the Buyer submits to jurisdiction of the English courts.

18. CONSTRUCTION

If any of the provisions of these conditions are held to be invalid for any reason then these conditions shall be read as if the invalid provisions had to that extent been deleted and the validity of the remaining provisions of these conditions shall not be affected.

19. BUYER'S CONDITIONS

In all instances the conditions stated herein override any separate terms and conditions stated by the Buyer.

20. THIRD PARTY RIGHTS

No person or party is to gain any right or benefit whatsoever under the terms of this contract save for Grassroutes and the named buyer. The Contracts (Rights of Third Parties) Act 1999 shall not apply to this contract.

Grassroutes Leisure Limited

Unit 9 Lopen Business Park

Mill Lane, Lopen

South Petherton

Somerset TA13 5JS

Tel : 01460 242366
Fax : 01460 249323
Email : info@grassroutesleisure.co.uk
Website : www.grassroutesleisure.co.uk

OPENING HOURS:-

MONDAY - FRIDAY 8.30 am - 5.00 pm

COLLECTING GOODS : Please call to arrange a mutually convenient date and time.

DELIVERY OF GOODS : Orders received before 2 pm will normally be despatched on a next day delivery service, with the exception of pallet orders that can have a lead time of between 3-5 days.