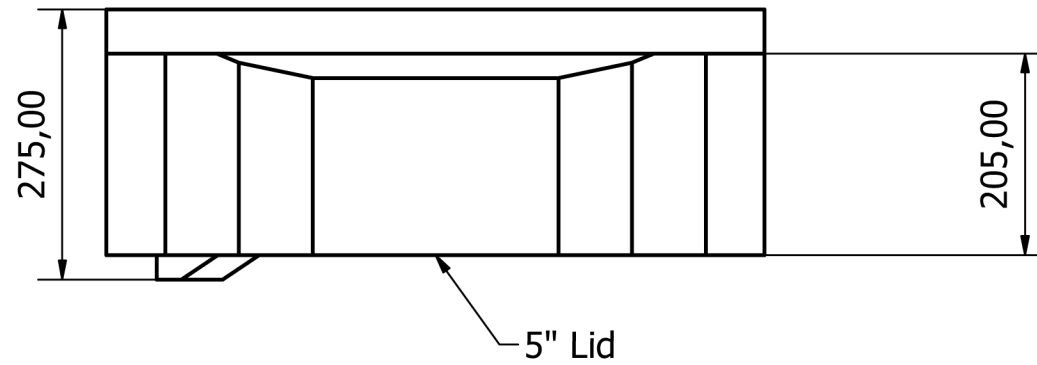
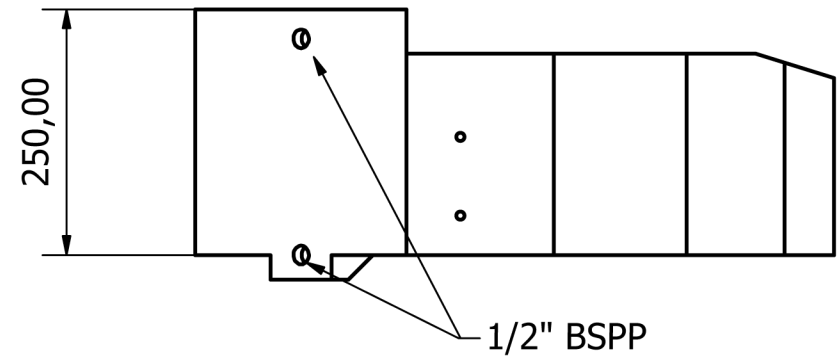
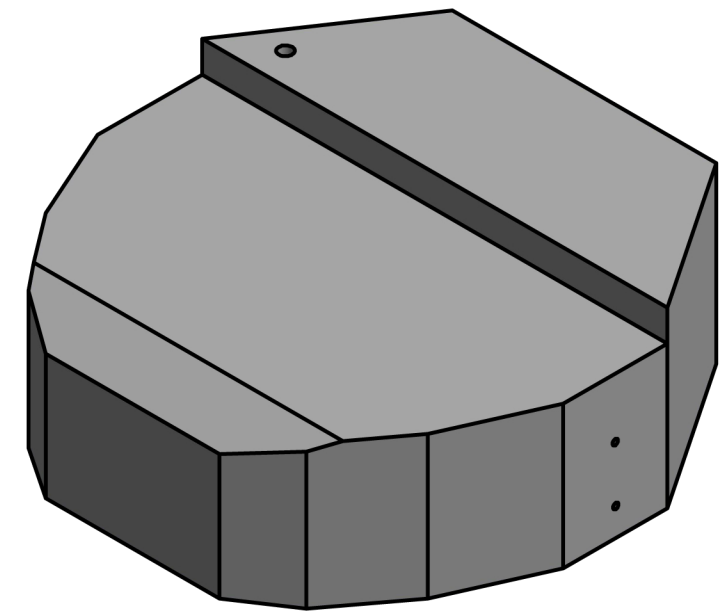
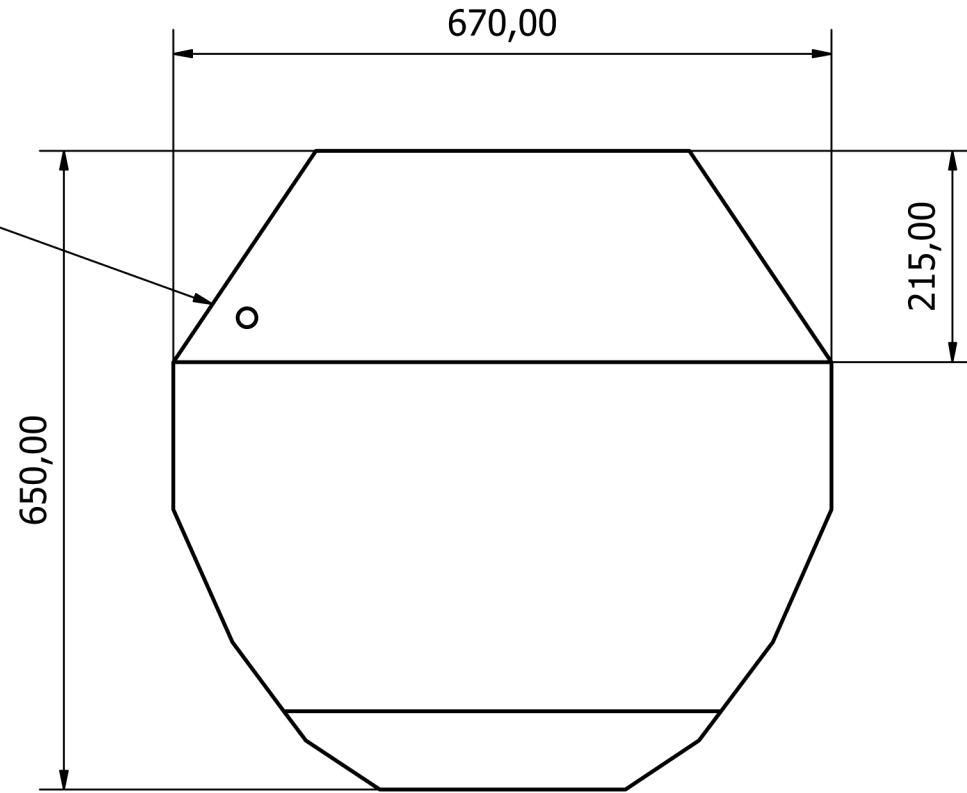


DO NOT SCALE UNLESS STATED - IF IN DOUBT ASK

Material	
Qty Req'd	

1/2" BSPP



D

D

C

C

B

B

A

A

6

1

5

1

4

3

1

2

1

1

6

1

5

1

4

3

1

2

1

1