

# LIGHT WEIGHT TABLE LEG 500mm-750mm

LOCKING HINGE ASSEMBLY



NUT X 2

LOCKING SCREW

## PARTS SUPPLIED



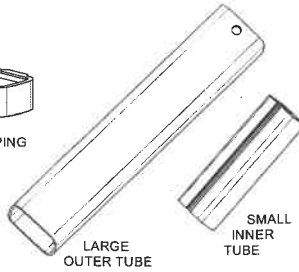
CLAMPING WHEEL



CAPPING



FOOT



LARGE OUTER TUBE

SMALL INNER TUBE

## TOOLS REQUIRED (NOT SUPPLIED)



3MM HEX KEY

**SAFETY NOTE**  
WEAR PROTECTIVE GLOVES  
WHEN ASSEMBLING  
KEEP SMALL PARTS  
AND POLYTHENE BAGS  
AWAY FROM CHILDREN

### STEP 1

THREAD LOCKING SCREW

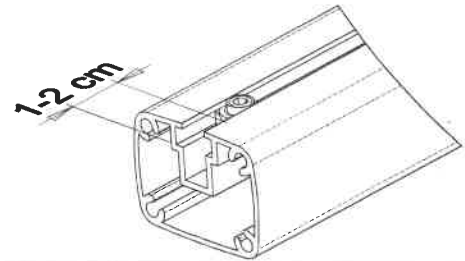
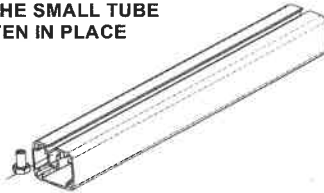


INTO NUT



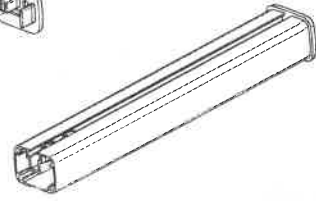
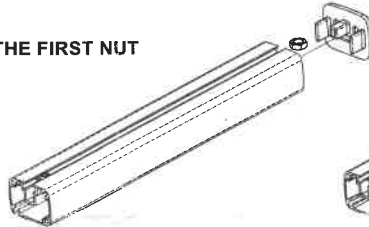
### STEP 2

SLIDE NUT AND LOCK SCREW ASSEMBLY (STEP 1)  
1 TO 2 CM FROM THE END OF THE SMALL TUBE  
AND WITH 3MM HEX KEY TIGHTEN IN PLACE



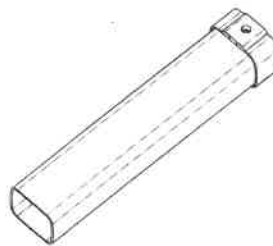
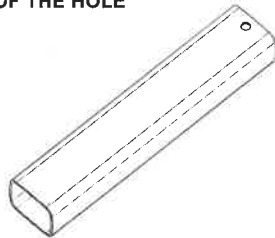
### STEP 3

FROM THE OPPOSITE END SLIDE SECOND NUT TO THE FIRST NUT  
THEN LOCATE THE FOOT AS SHOWN AND PUSH IN



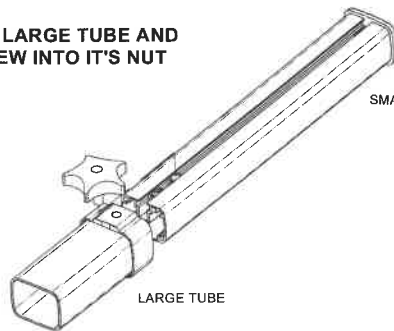
### STEP 4

ADD CAPPING TO THE LARGE TUBE  
NOTE THE LOCATION OF THE HOLE



### STEP 5

SLIDE SMALL TUBE INTO LARGE TUBE AND  
SCREW THE THUMB SCREW INTO IT'S NUT  
HAND TIGHT ONLY



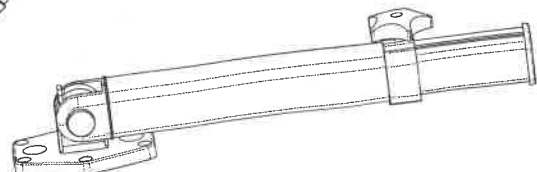
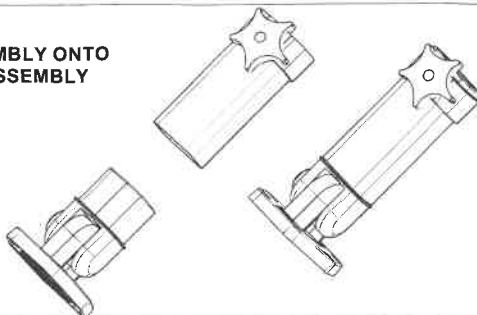
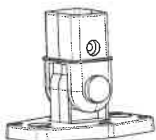
SMALL TUBE

LARGE TUBE



### STEP 3

SLIDE TUBE ASSEMBLY ONTO  
LOCKING HINGE ASSEMBLY



VIEW OF COMPLETE ASSEMBLY