

CALLISTO



160 lumens; over 55 lux @ 1 metre



Dual colour options available



Stylish, compact design



Colour, Brushed Chrome



Waterproof to IP66 option available



TECHNICAL SPECS OVERLEAF 

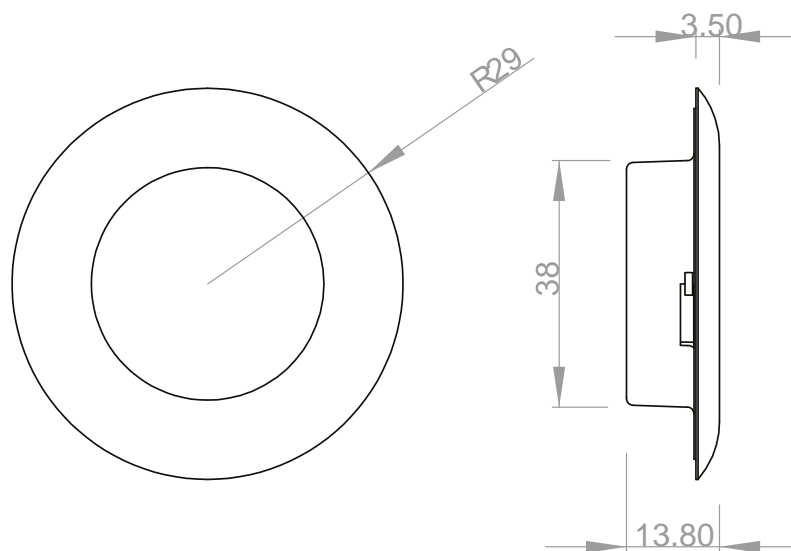
SEPTEMBER 2016 Labcraft Ltd



DESIGNED FOR MULTI-SECTOR APPLICATIONS



- **Long life, high intensity Cree LEDs** - The Callisto utilises the latest LED technology to give a high intensity light source which offers a lighting solution for multiple applications.
- **Dual colour options** - The Callisto is also available with a combination of blue/white or red/white LEDs creating an ideal solution for trauma and nightlight applications.
- **Stylish, compact design** - The Callisto has been designed to give an elegant finish to every application and is only 58mm in diameter ensuring that it has minimal impact on your ceiling.
- **Trim colour** - Available in brushed chrome.
- **Waterproof option** - A waterproof Callisto is available which protects the light from moisture ingress to IP66.



SPECIFICATION			ALL DIMENSIONS HAVE A TOLERANCE OF +/-1mm		
		LD101BCMV (12V)			
Voltage Range	VDC	10-32			
Average Current	A	0.16			
Light Output	lm	160			
Watts	W	1.25W			
Weight	kg	0.03			
Temp. Range	°C	-30 to +40			
IP Rating	IP	IP50 or IP66 (WP)			

E & OE

