

D20A | D30A

**FRIDGE + FREEZER**

FRESH AND FROZEN FOOD AND BEVERAGE



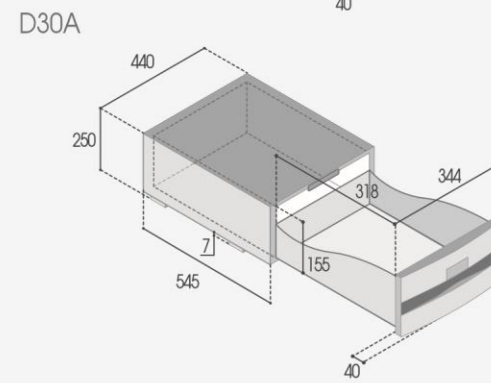
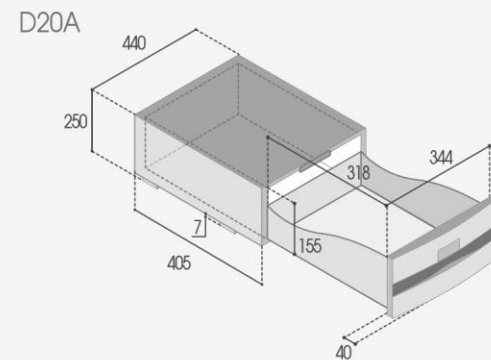
**BEST PERFORMANCE  
IN MINIMUM SPACE**

SUITABLE FOR SMALL SPACES, D20A AND D30A ARE USED TO SET ANY TEMPERATURE, AT ANY TIME. FOR EXAMPLE, START IN FRIDGE MODE AND THEN SWITCH TO FREEZER MODE OR VICE-VERSA.

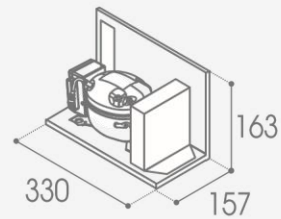


ALL IN ONE COMPACT DRAWER  
FRIDGES AND FREEZERS

	D20A	D30A
TOTAL VOLUME	20 LT.	30 LT.
NET WEIGHT	15 KG.	17 KG.
POWER SUPPLY	12/24 VDC	
NOMINAL CONSUMPTION	43,5 W	43,5 W



COOLING UNIT  
REMOTABLE UP TO 1,5 M



9602-0075

ALL IN ONE COMPACT DRAWER  
FRIDGES AND FREEZERS

ALL IN ONE COMPACT DRAWER FRIDGES AND FREEZERS

**YOU DECIDE.  
ANY TEMPERATURE,  
ANY TIME.**



**VITRIFRIGO**  
COOL AND BEYOND

**VITRIFRIGO**  
COOL AND BEYOND



**GREEN ENVIRONMENT**  
COMPRESSOR TECHNOLOGY  
IN R600a NATURAL GAS

# D20A

# D30A

## ALL IN ONE COMPACT DRAWER FRIDGES AND FREEZERS

### DESIGN AND QUALITY MADE IN ITALY



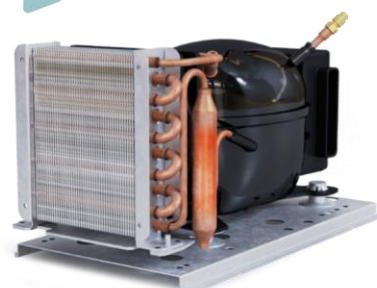
H max  
155 mm.

### REMOVABLE COOLING UNIT

### BLACK

## UP TO 1,5 mt.

With the D20/30A series you are finally free to maximise any space.  
 The removable external cooling unit offers added available volume inside the refrigerator. In addition, it expands the installation possibilities in terms of functionality, efficiency and soundproofing.



## NIGHT MODE



LOW NOISE



MAXIMUM ENERGY SAVING

### SMART CONTROL FOR HIGH LEVEL COMFORT

- ▶ 4 POSITIVE TEMPERATURE SET POINTS
- ▶ FREEZER MODE