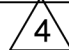
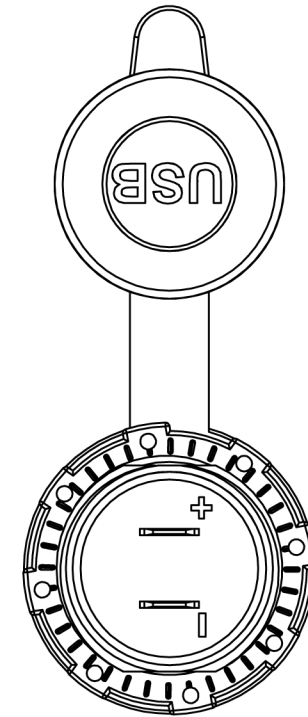
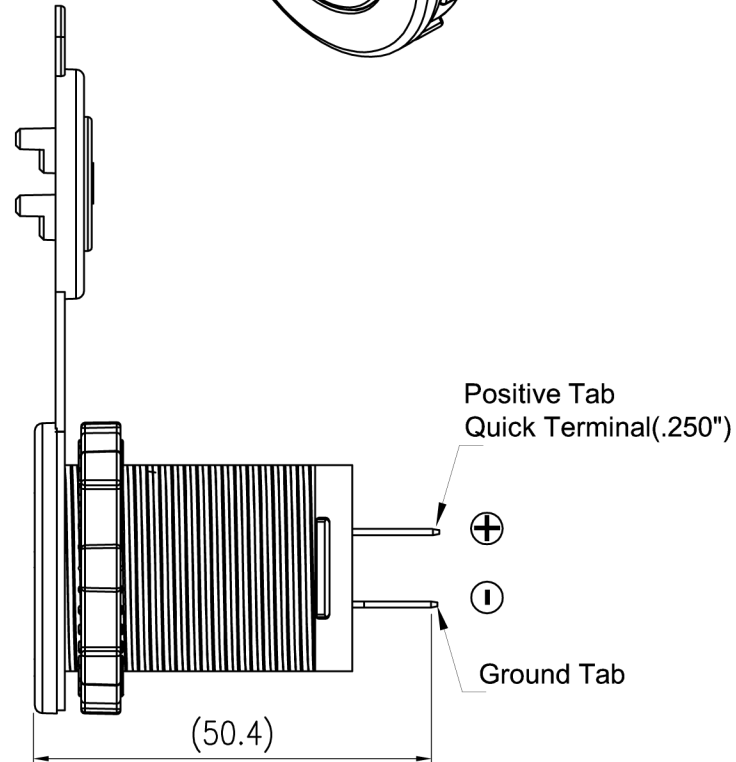
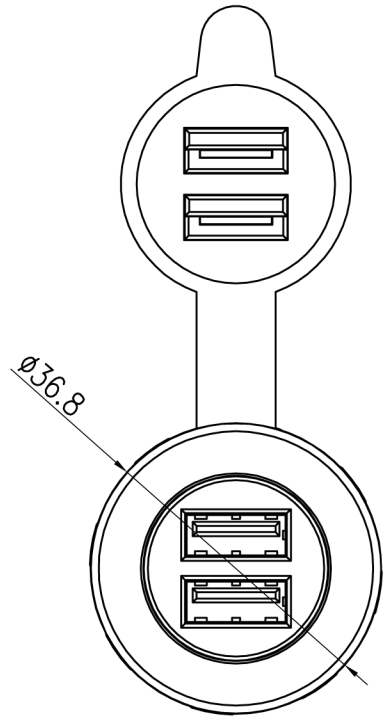
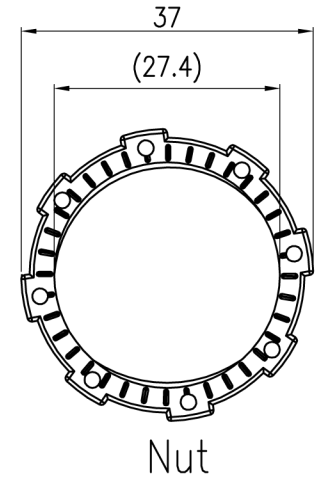
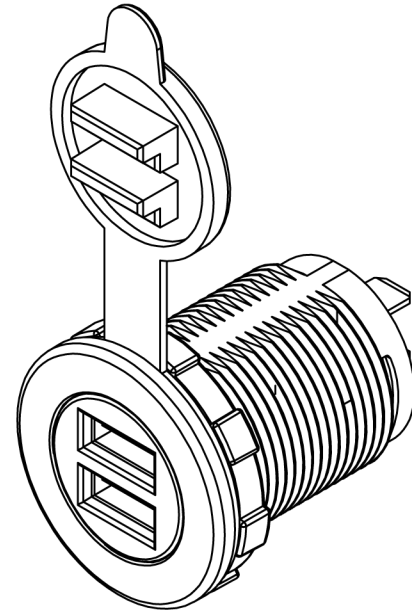
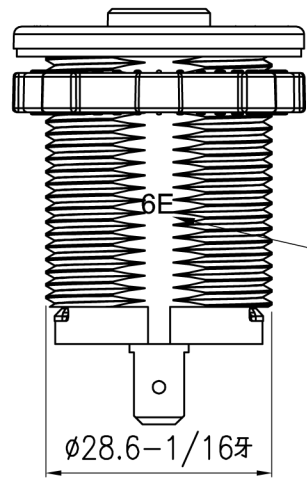
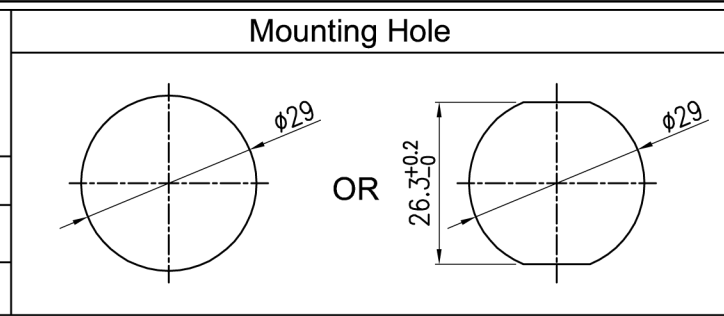


Rating	Input: 12V/24 DC Output: 5V DC 2.1A max.
Insulation Resistance	DC 500V 100MΩ Min.
Dielectric Strength	AC 1500V 1 minute
Operating Temperature	-20°C~60°C 



Tolerances ± 0.3 Unless Otherwise Specified